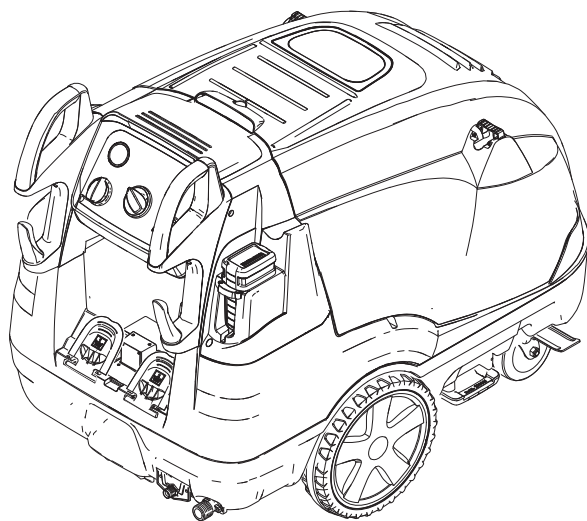


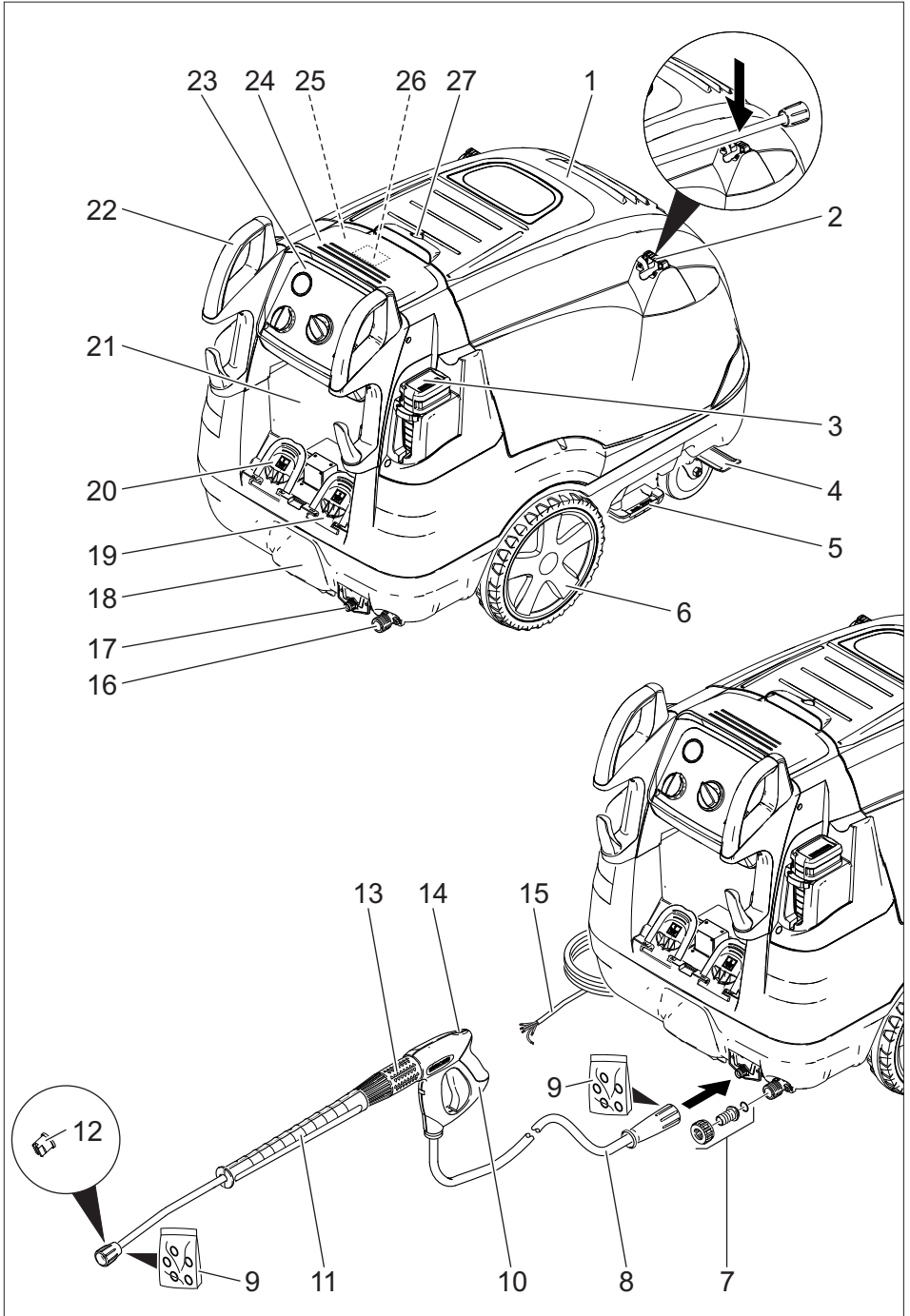
HDS-E 3.3/25-4M Ec  
HDS-E 3.3/25-4M Ef

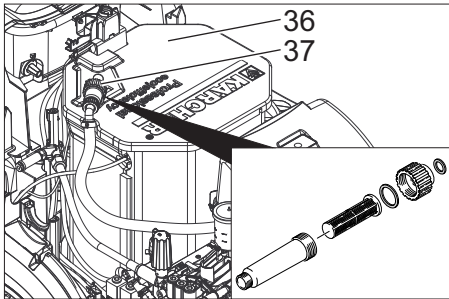
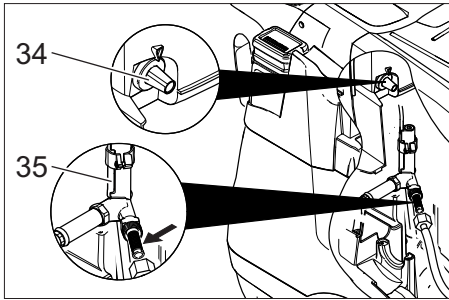
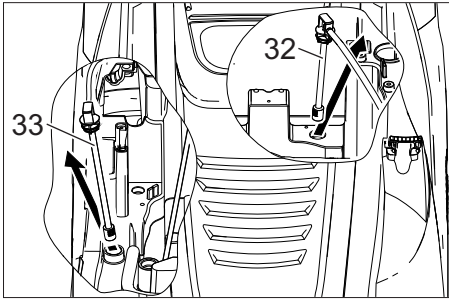
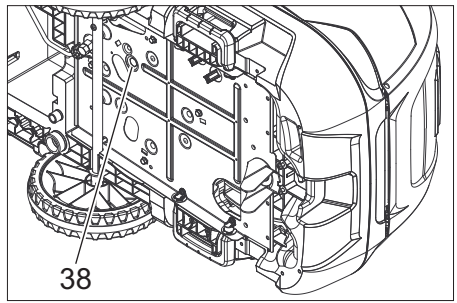
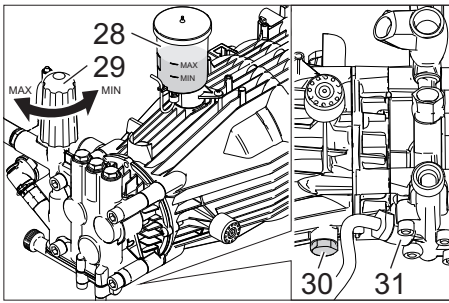


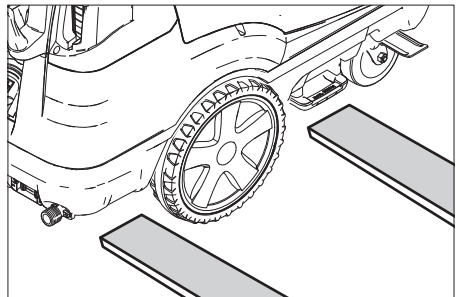
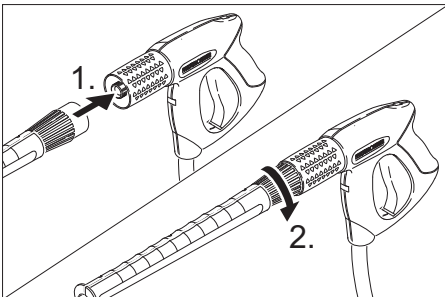
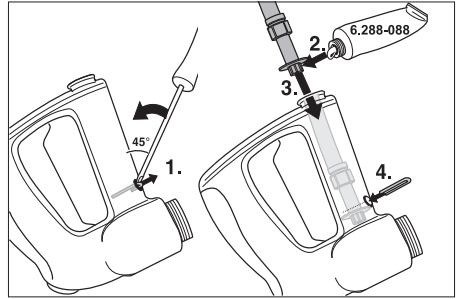
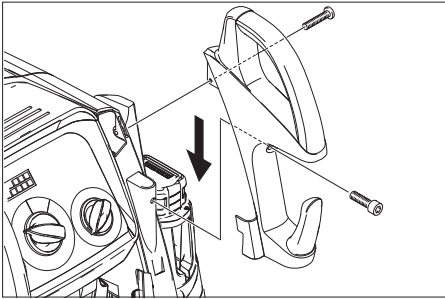
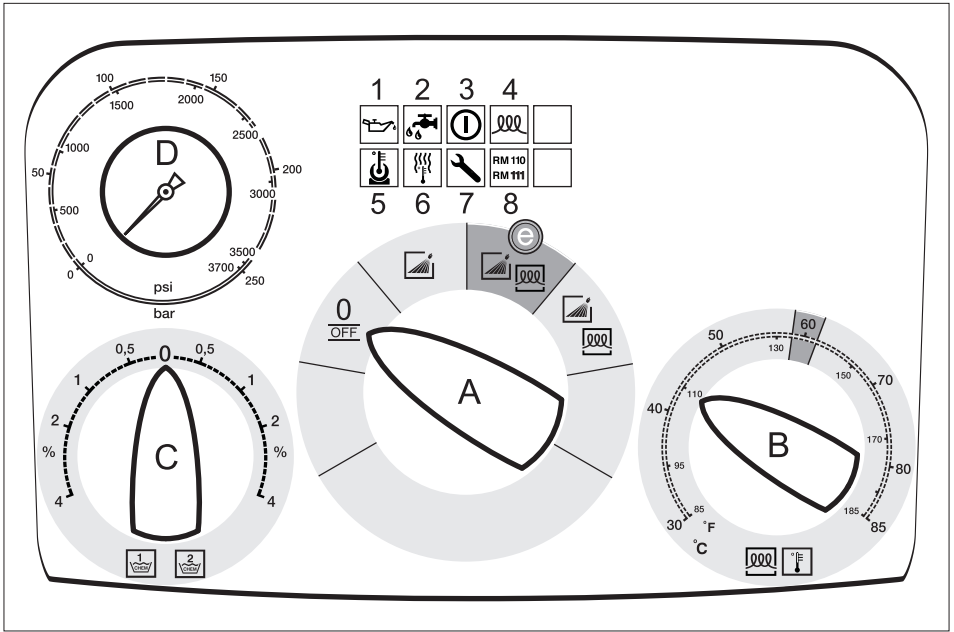
English	5
Français	18
Español	34

Register and win!  
[www.kärcher.com/register-and-win](http://www.kärcher.com/register-and-win)









## IMPORTANT SAFETY INSTRUCTIONS

### **⚠ WARNING**

*When using this product basic precautions should always be followed, including the following:*

- 1 Read all the instructions before using the product.
- 2 High pressure jets can be dangerous if misused. The jet must not be directed at persons, animals, electrical devices, or the unit itself.
- 3 To reduce the risk of injury, close supervision is necessary when a product is used near children.
- 4 Know how to stop the product and bleed pressures quickly. Be thoroughly familiar with the controls.
- 5 Stay alert – watch what you are doing.
- 6 Wear safety goggles.
- 7 Do not use acids, alkaline, solvents, or any flammable material in this product. These products can cause physical injuries to the operator and irreversible damage to the machine.
- 8 Do not operate the product when fatigued or under the influence of alcohol or drugs.
- 9 Do not overreach or stand on unstable support. Keep good footing and balance at all times.
- 10 To reduce the risk of electrocution, keep all connections dry and off the ground. Do not touch plug with wet hands.
- 11 The Trigger Gun Safety Lock prevents the trigger from accidentally being engaged. This safety feature DOES NOT lock trigger in the ON position.
- 12 Keep operating area clear of all persons.
- 13 Close cover before operating the machine.
- 14 This appliance is intended for commercial use.
- 15 Follow the maintenance instructions specified in the manual.

- 16 This machine has been designed for use with cleaning chemicals supplied or recommended by the manufacturer. The use of other cleaning chemicals may affect the operation of the machine and void the warranty.
  - Injection hazard: equipment can cause serious injury if the spray penetrates the skin. Do not point the gun at anyone or any part of the body. In case of penetration seek medical aid immediately.
  - This system is capable of producing 2520 psi/17.3 MPa. To avoid rupture and injury, do not operate this pump with components rated less than 2520 psi/17.3 MPa working pressure (including but not limited to spray guns, hose and hose connections).
  - Before servicing, cleaning, or removal of any part, shut off power and relieve pressure.
  - Do not spray electrical apparatus and wiring.
  - High Pressure. Keep clear of nozzle.
  - If connection is made to a potable water system, the system shall be protected against backflow.

### **Owner/User Responsibility**

- The owner and/or user must have an understanding of the manufacturer's operating instructions and warnings before using this pressure washer.
- Warning information should be emphasized and understood.
- If the operator is not fluent in English, the manufacturer's instructions and warnings shall be read to and discussed with the operator in the operator's native language by the purchaser/owner, making sure that the operator comprehends its contents.
- Owner and/or user must study and maintain for future reference the manufacturers' instructions.

## GROUNDING INSTRUCTIONS

This product must be grounded. If it should malfunction or breakdown, grounding provides a path of least resistance for electric current to reduce the risk of electric shock. This product is equipped with a cord having an equipment-grounding conductor for a grounding plug. The plug must be plugged into an appropriate outlet that is properly installed and grounded in accordance with all local codes and ordinances.

### **⚠ DANGER**

*Improper connection of the equipment-grounding conductor can result in a risk of electrocution. Check with a qualified electrician or service personnel if you are in doubt as to whether the outlet is properly grounded. Do not modify the plug provided with the product - if it will not fit the outlet, have a proper outlet installed by a qualified electrician. Do not use any type of adapter with this product.*

## USA

### **GROUND FAULT CIRCUIT INTERRUPTER PROTECTION**

To comply with the National Electrical Code (NFPA 70) and to provide additional protection from the risk of electric shock, this pressure washer should only be connected to a receptacle that is protected by a ground fault circuit interrupter (GFCI).

## CANADA

NOTE - In Canada, the use of a temporary adaptor is not permitted by the Canadian Electrical Code.

## WATER SUPPLY

### **⚠ CAUTION**

*When connecting the water inlet to the water supply mains, local regulations of your water company must be observed. In some areas the unit must not be connected directly to the public drinking water supply. This is to ensure that there is no feedback of chemicals into the water supply. Direct*

*connection via a receiver tank or backflow preventer, for example, is permitted.*

*Dirt in the feed water will damage the unit. To avoid this risk, we recommend fitting a water filter.*

- Garden hose must be at least 3/4 inch in diameter.
- Flow rate of water supply must not fall below 4.4 GPM (gallons per minute).
- Flow rate can be determined by running the water for one minute into an empty 5-gallon container.
- The water supply temperature must not exceed 86°F/30°C.
- Never use the pressure washer to draw in water contaminated with solvents, e.g. paint thinners, gasoline, oil, etc.
- Always prevent debris from being drawn into the unit by using a clean water source. Use additional water filter.

## EXTENSION CORDS

Use only 3-wire extension cords that have 3-prong grounding-type plugs and 3-pole cord connectors that accept the plug from the product. Use only extension cords that are intended for outdoor use. These extension cords are identified by a marking "Acceptable for use with out-door appliances: store indoors while not in use." Use only extension cords having an electrical rating not less than the rating of the product. Do not use damaged extension cords. Examine extension cord before using and replace if damaged. Do not abuse extension cord and do not yank on any cord to disconnect. Keep cord away from heat and sharp edges. Always disconnect the extension cord from the receptacle before disconnecting the product from the extension cord.

**SAVE THESE INSTRUCTIONS!**



Please read and comply with these original instructions prior to the initial operation of your appliance and store them for later use or subsequent owners.

- Before first start-up it is definitely necessary to read the operating instructions and safety indications Nr. 5.951-949.0!
- In case of transport damage inform vendor immediately
- Check the contents of the pack before unpacking. For scope of delivery see illustration 1.

## Contents

Environmental protection . . . .	EN	1
Danger or hazard levels . . . .	EN	1
Overview . . . . .	EN	2
Symbols on the machine. . . .	EN	2
Proper use . . . . .	EN	2
Safety instructions. . . . .	EN	3
Safety Devices . . . . .	EN	3
Start up . . . . .	EN	3
Operation . . . . .	EN	5
Storage . . . . .	EN	7
Transport. . . . .	EN	7
Maintenance and care . . . .	EN	7
Troubleshooting . . . . .	EN	8
Warranty . . . . .	EN	10
Accessories and Spare Parts .	EN	10
Technical specifications . . . .	EN	11

## Environmental protection



The packaging material can be recycled. Please do not throw the packaging material into household waste; please send it for recycling.



Old appliances contain valuable materials that can be recycled; these should be sent for recycling. Batteries, oil, and similar substances must not enter the environment. Please dispose of your old appliances using appropriate collection systems.

Please do not release engine oil, fuel oil, diesel and petrol into the environment. Protect the ground and dispose of used oil in an environmentally-clean manner.

### Notes about the ingredients (REACH)

You will find current information about the ingredients at:

[www.kaercher.com/REACH](http://www.kaercher.com/REACH)

## Danger or hazard levels

### **⚠ DANGER**

*Immediate danger that can cause severe injury or even death.*

### **⚠ WARNING**

*Possible hazardous situation that could lead to severe injury or even death.*

### **⚠ CAUTION**

*Pointer to a possibly dangerous situation, which can lead to minor injuries.*

### **ATTENTION**

*Pointer to a possibly dangerous situation, which can lead to property damage.*

## Overview

### Device elements

#### Figure 1

- 1 Cover
- 2 Support for spray lance (both sides)
- 3 System care Advance RM 110/RM 111
- 4 Steering roller with fixed position brake
- 5 Mounting location for transport (both sides)
- 6 Wheel
- 7 Water supply set
- 8 High pressure hose
- 9 O-ring set (for replacement)
- 10 Hand spray gun
- 11 Spray lance
- 12 High-pressure nozzle (stainless steel)
- 13 Pressure/ quantity regulation at the hand spray gun (Option)
- 14 Safety latch of the hand spray gun
- 15 Power supply
- 16 Connection for water supply with filter
- 17 High pressure connection
- 18 Step depression
- 19 Pouring vent for detergent 2
- 20 Pouring vent for detergent 1
- 21 Folding compartment
- 22 Handle
- 23 Operating field
- 24 Closing flap for storage compartment
- 25 Storage compartment for accessories
- 26 Nameplate
- 27 Cover lock
- 28 Oil tank
- 29 Pressure/quantity regulation of the pump unit
- 30 Oil drain screw
- 31 Backflow valve of the detergent infeed
- 32 Detergent suction hose 1 with filter
- 33 Detergent suction hose 2 with filter
- 34 System care service switch
- 35 Safety block with sieve
- 36 Boiler
- 37 Fine filter (water)
- 38 Boiler drain screw

## Operating field

#### Figure 2

- A Power switch
- B Temperature controller
- C Dosage valve for detergent
- D Manometer
- 1 Indicator lamp pump
- 2 "Low water" indicator lamp
- 3 "Ready for use" indicator lamp
- 4 Indicator lamp - heating
- 5 Engine indicator lamp
- 6 Indicator lamp boiler fault
- 7 Indicator lamp service
- 8 Indicator lamp system care

### Colour coding

- The operating elements for the cleaning process are yellow.
- The controls for the maintenance and service are light gray.

## Symbols on the machine



*High-pressure jets can be dangerous if improperly used. The jet may not be directed at persons, animals, live electrical equipment or at the appliance itself.*



#### **Risk of electric shock!**

*Only electricians or authorised technicians are permitted to work on parts of the plant.*



*Risk of burns on account of hot surfaces!*

## Proper use

Cleaning of: Machines, Vehicles, Structures, Tools, Facades, Terraces, Gardening tools, etc.

#### **⚠ DANGER**

*Risk of injury! Follow the respective safety regulations when operating at gas stations or other dangerous areas.*



Please do not let mineral oil contaminated waste water reach soil, water or the sewage system. Perform engine cleaning and bottom cleaning therefore only on specified places with an oil trap.

## Safety instructions

- Please follow the national rules and regulations for fluid spray jets of the respective country.
- Please follow the national rules and regulations for accident prevention of the respective country. Fluid spray jets must be tested regularly and the results of these tests must be documented in writing.

## Safety Devices

Safety devices serve for the protection of the user and must not be put out of operation or bypassed with respect to their function.

### Overflow valve with two pressure switches

- While reducing the water supply at the pump head or with the Servopress - regulation the overflow valve opens and part of the water flows back to the pump suck side.
- If the hand-spray gun is closed, so that the whole water flows back to the pump suck side, the pressure switch at the overflow valve shuts down the pump.
- If the hand spray gun is opened, the pressure switch on the cylinder head turns the pump back on.

The overflow valve is set by the manufacturer and sealed. Setting only by customer service.

### Safety valve

- The safety valve opens, when the overflow valve resp. the pressure switch is broken.

The safety valve is set by the manufacturer and sealed. Setting only by customer service.

## Water shortage safeguard

- The lack of water fuse prevents the heater from being switched on when there is a water shortage.
- The lack of water fuse switches the pump off after 2 minutes in case of a water shortage to prevent dry runs.

## Temperature controller

- The temperature limiter switches off the heater when the temperature becomes too high.

## Start up

### ⚠ **WARNING**

*Risk of injury! Device, tubes, high pressure hose and connections must be in faultless condition. Otherwise, the appliance must not be used.*

- ➔ Lock parking brake.

## Installing the handle

### Figure 3

### Replace the system care bottle

**Note:** Push the bottle in securely to penetrate the closure. Do not remove bottle until it is empty.

**Note:** To protect the appliance, the heater is switched off 5 hours after the system care bottle is empty.

- The system care effectively prevents the calcification of the pump while operating with calcified tap water. It is dosed into the supply in the boiler drop by drop.
- The metering is set to medium water rigidity by the manufacturer

**Note:** A system care bottle is included in the delivery.

- ➔ Replace the system care bottle.

### Adjusting the dosage of the system care Advance RM 110/RM 111

- ➔ Determining the hardness of tap water:
  - through the public water supply works,
  - using a hardness tester (order no. 6.768-004)

Water hardness (°dH)	Scale on the system care service switch
<3	OFF (no dosing)
3...7	1
7...14	2
14...21	3
>21	4

→ Set the service switch according to the water hardness in the table.

**Note:** Observe the following when using system care Advance 2 RM 111:

- Calcification protection: See table
- Pump care: Set the service switch to at least setting 3.

### Refill detergent

#### **⚠ DANGER**

*Risk of injury!*

- Use Kärcher products only.
- Under no circumstances fill solvents (petrol, acetone, diluting agent etc.)
- Avoid eye and skin contact.
- Observe safety and handling instructions by the detergent manufacturer.

#### **Kärcher offers an individual cleaning and care appliances program.**

Your dealer will consult you gladly.

→ Refill detergent.

### Install the hand-spray gun, the jet pipe, the nozzle and the high pressure hose

#### **Figure 4**

- Connect ray tube with hand spray gun
- Tighten the screw connection of the spray lance finger tight.
- Insert high pressure nozzle into covering nut
- Install covering nut and tighten firmly
- Connect the high pressure hose to the high pressure connection point of the machine.

### Installing spare high pressure hose

#### **Figure 5**

### Water connection

For connection values refer to technical specifications

- Attach supply hose (minimum length 24.6 ft/7.5 m, minimum diameter 3/4") to the water supply set by means of a hose clamp.
- Connect the supply hose to the water connection point of the machine and at the water supply point (for e.g. a tap).

**Note:** The supply hose and the hose clamp are not included in the scope of delivery.

### Power connection

- For connection values, see technical data and type plate.
- The electrical connections must be done by an electrician according to IEC 60364-1.
- The voltage indicated on the type plate must correspond to the voltage of the electrical source.
- The installation of the electrical plug may only be performed by the authorised customer service/electrician. The electrical plug is not included.

#### **⚠ DANGER**

*Danger of injury by electric shock.*

- *Unsuitable electrical extension cables can be hazardous. Only use electrical extension cables outdoors which have been approved and labelled for this purpose and have an adequate cable cross-section.*
- *Always unwind extension lines completely.*
- *The plug and coupling of the extension cable used must be watertight.*

## Operation

### **⚠ DANGER**

*Risk of explosion!*

*Do not spray flammable liquids.*

### **⚠ DANGER**

*Risk of injury! Never use the appliance without the spray lance attached. Check and ensure proper fitting of the spray lance prior to each use. The screw connection of the spray lance must be fingertight.*

## Safety instructions

### **⚠ WARNING**

*Long hours of using the appliance can cause circulation problems in the hands on account of vibrations.*

It is not possible to specify a generally valid operation time, since this depends on several factors:

- Proneness to blood circulation deficiencies (cold, numb fingers).
- Low ambient temperature. Wear warm gloves to protect hands.
- A firm grip impedes blood circulation.
- Continuous operation is worse than an operation interrupted by pauses.

In case of regular, long-term operation of the device and in case of repeated occurrence of the symptoms (e.g. cold, numb fingers) please consult a physician.

## Boiler

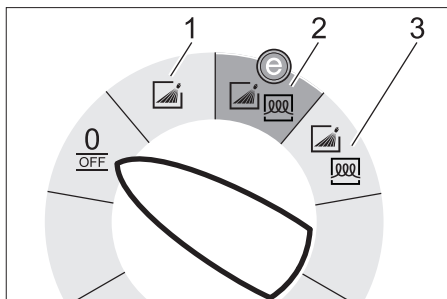
**Note:** With especially hard water, calcium can be flocculated at a higher rate inside the boiler. This is a natural phenomenon and it does not impact the function of the appliance, so long as the maintenance intervals are adhered to (see "Care and Maintenance").

## Replace the nozzle

### **⚠ DANGER**

*Switch the appliance off prior to replacing nozzle and activate hand spray gun until device is pressureless.*

## Operating modes



0/OFF = Off

- 1 Operating with cold water
- 2 Eco! efficiency setting (hot water max. 140 °F/60 °C)
- 3 Operating with hot water

## Turning on the Appliance

- Set appliance switch to desired operating mode.  
Indicator lamp for operational readiness lights up.

The device starts briefly and turns off, as soon as the working pressure is reached.

**Note:** If the indicator lamps for pump, lack of water, boiler malfunction or motor, turn off the appliance immediately and repair malfunction, refer to "Help with malfunctions".

- Release the trigger gun.

When activating the hand spray gun the device switches back on.

**Note:** If no water comes out of the high pressure nozzle, vent pump. Refer to "Help with malfunctions - appliance is not building up pressure".

## Adjust cleaning temperature

- Set temperature regulator to desired temperature.  
**86 °F/30 °C to 185 °F/85 °C:**
- Clean with hot water.

## Set working pressure and flow rate

### Pressure/quantity regulation of the pump unit

- Turn the regulation spindle in a clockwise direction: Increase working pressure (MAX).
- Turn the regulation spindle in an anti-clockwise direction: Reduce working pressure (MIN).

### Pressure/ quantity regulation at the hand spray gun

- Set the operating pressure on the pump unit to the maximum value.
- Set the working pressure and feed quantity by turning (steplessly) the pressure/quantity regulation mechanism at the hand spray gun (+/-).

#### ⚠ **DANGER**

*When adjusting the pressure/quantity regulation, make sure that the screw connection of the spray lance does not become loose.*

**Note:** For long term work with low pressure, set pressure at the pump unit.

## Operation with detergent

- For considerate treatment of the environment use detergent economically.
- The detergent must be suitable for the surface to be cleaned.
- With support of the detergent dose valve set detergent concentration as determined by the manufacturer.

**Note:** Recommended values at the control panel at maximum working pressure.

## Cleaning

- Set pressure/temperature and detergent concentration according to the surface to be cleaned.

**Note:** To prevent damage due to too much pressure, always position high pressure ray first from a greater distance towards object to be cleaned.

## Recommended cleaning method

- Loosen the dirt:
  - Spray detergent economically and let it work for 1...5 minutes but do not let it dry up.
- Remove the dirt:
  - Spray off loosened dirt with the high pressure jet.

## Operating with cold water

Removal of light contaminations and clear rinse, i.e.: Gardening tools, terrace, tools, etc.

- Set operating pressure according to need.

## Eco! efficiency setting

The appliance works in the most economical temperature range.

**Note:** The temperature can be regulated up to 140 °F/60 °C.

## Operating with hot water

We recommend the following cleaning temperatures:

- Light contaminations  
**86 °F/30 °C-122 °F/50 °C**
- Contaminations containing protein, i.e. in the food processing industry  
**max. 140 °F/60 °C**
- Vehicle cleaning, machine cleaning  
**140 °F/60 °C-185 °F/85 °C**

#### ⚠ **DANGER**

*Scalding danger!*

- Set temperature regulator to desired temperature.

**Note:** Changing the working pressure and the feed volume will also change the water temperature.

## After operation with detergent

- Set dosing value for detergent to "0".
- Set the appliance switch to "1" (operation with cold water).
- Open the hand spray gun and rinse the appliance for at least 1 minute.

## Turn off the appliance

### **⚠ DANGER**

*Danger of scalding by hot water. After operation with hot water, the appliance must be operated with an open gun with cold water for at least five minutes to cool it off.*

- Set the appliance switch to "0/OFF".
- Shut off water supply.
- Open the hand spray gun.
- Turn on pump shortly (appr. 5 seconds) with device switch.
- Pull main plug out of socket with dry hands only.
- Remove water connection.
- Activate hand spray gun until device is pressure less.
- Lock the trigger gun.

## Storing the Appliance

- Lock in the steel pipe into the holder of the appliance hood.
- Roll up high pressure hose and electrical conduit and hang them into the respective holders.

**Note:** Do not twist high pressure hose and electrical conduit.

## Frost protection

### **ATTENTION**

*Frost will destroy the not completely water drained device.*

- Store in a frost free area.
- If it is not possible to store frost free, shut down device.

## Shutdown

For longer work breaks or if a frost free storage is not possible:

- Drain water.
- Flush device with anti-freeze agent.
- Empty detergent tank.

## Dump water

- Screw off water supply hose and high pressure hose.
- Unscrew the drain screw of the boiler on the bottom of the boiler and empty the boiler.

- Operate device for max. 1 minute until the pump and conduits are empty.

## Flush device with anti-freeze agent

**Note:** Observe handling instructions of the anti-freeze agent manufacturer.

- Fill commercial grade anti-freeze into the boiler.
- Switch on appliance (without heater) until the appliance has been completely rinsed.

A certain corrosion protection is achieved with this as well.

## Storage

### **⚠ CAUTION**

*Risk of injury and damage! Note the weight of the appliance in case of storage.*

## Transport

### **Figure 6**

#### **ATTENTION**

*Risk of damage! When loading the appliance with a forklift, observe the illustration.*

### **⚠ CAUTION**

*Risk of injury and damage! Observe the weight of the appliance when you transport it.*

- When transporting in vehicles, secure the appliance according to the guidelines from slipping and tipping over.

## Maintenance and care

### **⚠ DANGER**

*Risk of injury by inadvertent startup of appliance and electrical shock.*

*First pull out the plug from the mains before carrying out any tasks on the machine.*

- Set the appliance switch to "0/OFF".
- Shut off water supply.
- Open the hand spray gun.
- Turn on pump shortly (appr. 5 seconds) with device switch.
- Pull main plug out of socket with dry hands only.
- Remove water connection.
- Activate hand spray gun until device is pressure less.
- Lock the trigger gun.

→ Allow device to cool down.  
**Your Kärcher vender will inform you about the performance of a periodic safety inspection resp. signing of a maintenance contract.**

## Maintenance intervals

### Weekly

- Clean the sieve in the water connection.
- Clean the fine filter.
- Check oil level.

### ATTENTION

*In case of lacteous oil inform Kärcher customer service immediately*

### Monthly

- Clean the sieve in the safety block.
- Clean filter at the detergent suck hose.

### After 400 operating hours, at least annually

- Check the calcification degree of the boiler and consider having it cleaned by customer service.

### After 500 operating hours, at least annually

- Oil change.

## Maintenance Works

### Clean the sieve in the water connection

- Take out sieve.
- Clean sieve in water and reinstall.

### Cleaning the fine filter

- Unpressurize the appliance.
- Unscrew the fine filter from the boiler.
- Remove the fine filter and the filter insert.
- Clean the filter with clean water or compressed air.
- Reinstall in reverse sequence.

### Clean the sieve in the safety block

- Loosen covering nut and take off hose.
- Take out sieve.

**Note:** If necessary turn in screw M8 appr. 0.2 in/5 mm inwards and therewith pull out sieve.

- Clean sieve in water.

- Push sieve inwards.
- Put on hose.
- Tighten covering nut firmly.

### Clean filter at the detergent suck hose

- Take out detergent suck supports.
- Clean filter in water and reinstall.

### Oil change

- Ready a catch bin for appr. 0.26 gal/ 1 Liter oil.
- Loosen release screw.

Dispose of old oil ecologically or turn in at a gathering point.

- Tighten release screw.
  - Fill oil slowly up to the MAX marking.
- Note:** Air pockets must be able to leak out.  
**For oil type refer to technical specifications.**

## Troubleshooting

### ⚠ DANGER

*Risk of injury by inadvertent startup of appliance and electrical shock.*

*First pull out the plug from the mains before carrying out any tasks on the machine.*

## Indicator lamp pump

### 1x blinking

- Lack of oil
- Replenish oil.

### 2x blinking

- Leak in the high pressure system
- Check high pressure system and connections for tightness.

### 3x blinking

- Lack of water after 2 minutes - the pump is switched off to prevent dry runs.
- Check water supply, check connections.

### 4x blinking

- Heater contactor fault
- Set the appliance switch to "0/OFF".
- Turn on the appliance.
- Error occurs repeatedly.
- Inform Customer Service

### "Low water" indicator lamp

- Lack of water - heater is switched off
- ➔ Check water supply, check connections.

### Indicator lamp "Ready for use" turns off

- No line voltage, see "Appliance is not running".

### Indicator lamp for heater lights up

- Heater operation

### Engine indicator lamp

#### 2x blinking

- Engine overload/overheat
- ➔ Set the appliance switch to "0/OFF".
- ➔ Allow device to cool down.
- ➔ Turn on the appliance.
- Error occurs repeatedly.
- ➔ Inform Customer Service

#### 3x blinking

- Fault in the voltage supply.
- ➔ Check main connections and mains fuse.

#### 4x blinking

- Excessive power consumption.
- ➔ Check main connections and mains fuse.
- ➔ Inform Customer Service

### Indicator lamp boiler fault

#### 1x blinking

- Temperature limiter has got triggered.
- ➔ Set the appliance switch to "0/OFF".
- ➔ Allow device to cool down.
- ➔ Turn on the appliance.
- Error occurs repeatedly.
- ➔ Inform Customer Service

#### 3x blinking

- System care detection defective
- ➔ Inform Customer Service

#### 4x blinking

- Temperature sensor defective
- ➔ Inform Customer Service

### Indicator lamp service

- Service interval
- ➔ Perform service work.

### Indicator lamp system care is illuminated

**Note:** Heater can only operate 5 more hours.

- System care bottle empty.
- ➔ Replace the system care bottle.

### Indicator lamp system care is blinking

**Note:** Heater operation no longer possible.

- System care bottle empty.
- ➔ Replace the system care bottle.

### Appliance is not running

- No power
- ➔ Check power connection/conduit.

### Device is not building up pressure

- Air within the system

Vent pump:

- ➔ Set dosing value for detergent to "0".
- ➔ With open hand spray gun turn device on and off multiple times with the device switch.
- ➔ Open and close the pressure/quantity regulation at the pump unit with the hand spray gun open.

**Note:** By dismantling the high pressure hose from the high pressure connection the venting process is accelerated.

- ➔ If detergent tank is empty, refill.
- ➔ Check connections and conduits.
- Pressure is set to MIN
- ➔ Set pressure to MAX.
- Sieve in the water connection is dirty
- ➔ Clean sieve.
- ➔ Clean the fine filter; replace it, if necessary.
- Amount of water supply is too low.
- ➔ Check water supply level (refer to technical data).

### **Device leaks, water drips from the bottom of the device**

- Pump leaky

**Note:** 3 drops/minute are allowed.

- ➔ With stronger leak, have device checked by customer service.

**Note:** Condensate can cause increased drop generation on the appliance.

### **Device turns on and off while hand spray gun is closed**

- Leak in the high pressure system
- ➔ Check high pressure system and connections for tightness.

### **Device is not sucking in detergent**

- ➔ Leave the appliance running with open detergent dosing valve and closed water supply, until the boiler is sucked empty and the pressure falls to "0".
- ➔ Open the water supply again.

If the pump still is not sucking in any detergent, it could be because of the following reasons:

- Filter in the detergent suck hose dirty
- ➔ Clean filter.
- Backflow valve stuck
- ➔ Remove the detergent hose and loosen the backflow valve using a blunt object.

### **Boiler does not heat up**

- System care bottle empty.
- ➔ Replace the system care bottle.
- Water shortage
- ➔ Check water supply, check connections.
- Heater defective.
- ➔ Inform Customer Service

### **Set temperature is not achieved while using hot water**

- Working pressure/flow rate to high
- ➔ Reduce working pressure/flow quantity at the pressure/volume regulator in the pump unit.

## **Customer Service**

**If malfunction can not be fixed, the device must be checked by customer service.**

## **Warranty**

The warranty terms published by our competent sales company are applicable in each country. We will repair potential failures of the appliance within the warranty period free of charge, provided that such failure is caused by faulty material or defects in fabrication.

## **Accessories and Spare Parts**

- Only use accessories and spare parts which have been approved by the manufacturer. The exclusive use of original accessories and original spare parts ensures that the appliance can be operated safely and trouble free.
- At the end of the operating instructions you will find a selected list of spare parts that are often required.
- For additional information about spare parts, please go to the Service section at [www.kaercher.com](http://www.kaercher.com).



## Technical specifications

		HDS-E 3.3/25-4M Ec	HDS-E 3.3/25-4M Ef
<b>Main Supply</b>			
Voltage	V	460	575
Current type	Hz	3~ 60	3~ 60
Connected load	kW	30	30
Protection (slow)	A	50	50
Type of protection	--	IPX5	IPX5
Protective class	--	I	I
<b>Water connection</b>			
Max. feed temperature	°F (°C)	86 (30)	86 (30)
Min. feed volume	gpm (l/min)	4.4 (16.7)	4.4 (16.7)
Max. feed pressure	psi (MPa)	87 (0.6)	87 (0.6)
<b>Performance data</b>			
Water flow rate	gpm (l/min)	1.6-3.3 (6.1-12.3)	1.6-3.3 (6.1-12.3)
Operating pressure of water (using standard nozzle)	psi (MPa)	465-2520 (3.2-17.3)	465-2520 (3.2-17.3)
Max. excess operating pressure (safety valve)	psi (MPa)	2972 (20.5)	2972 (20.5)
Max. operating temperature of hot water	°F (°C)	185 (85)	185 (85)
Switch-off temperature hot water	°F (°C)	208 (98)	208 (98)
Operating temperature during continuous operation with 59 °F/15 °C input temperature	°F (°C)	113 (45)	113 (45)
Detergent suck in	gpm (l/min)	0-0.13 (0-0.5)	0-0.13 (0-0.5)
Heating output	kW	24	24
Max. recoil force of trigger gun	N	37.2	37.2
Nozzle size	--	045	045
<b>Values determined as per EN 60355-2-79</b>			
Noise emission			
Sound pressure level L <sub>pA</sub>	dB(A)	67	67
Uncertainty K <sub>pA</sub>	dB(A)	3	3
Sound power level L <sub>WA</sub> + Uncertainty K <sub>WA</sub>	dB(A)	85	85
Hand-arm vibration value			
Hand spray gun	m/s <sup>2</sup>	4.5	4.5
Spray lance	m/s <sup>2</sup>	1.9	1.9
Uncertainty K	m/s <sup>2</sup>	0.3	0.3
<b>Fuel</b>			
Amount of oil	gal (l)	0.2 (0.75)	0.2 (0.75)
Oil grade	--	SAE 90	SAE 90
<b>Dimensions and weights</b>			
Length x width x height	in (mm)	52.5 x 29.5 x 41.5 (1330 x 750 x 1060)	52.5 x 29.5 x 41.5 (1330 x 750 x 1060)
Typical operating weight	lbs (kg)	423 (192)	423 (192)
Detergent Tank	gal (l)	2.6+5.3 (10+20)	2.6+5.3 (10+20)
Total boiler capacity	gal (l)	13.2 (50)	13.2 (50)

## CONSIGNES DE SÉCURITÉ IMPORTANTES

### ⚠ **AVERTISSEMENT**

*En utilisant ce produit, toujours observer une certaine prudence élémentaire, incluant notamment :*

- 1 Lire toutes les instructions de service avant d'utiliser l'appareil.
  - 2 En cas d'utilisation incorrecte, les jets haute pression peuvent être dangereux. Ne jamais diriger les jets de vapeur en direction d'individus, d'animaux, de dispositifs électriques ou de l'appareil lui-même.
  - 3 Afin de minimiser les risques de blessure, ne jamais laisser l'appareil sans surveillance lorsque celui-ci est utilisé à proximité d'enfants.
  - 4 Il est impératif de savoir arrêter et mettre l'appareil hors pression rapidement. Une connaissance approfondie des commandes est nécessaire.
  - 5 Rester attentif – se concentrer sur la tâche en cours.
  - 6 Le port de lunettes de protection est obligatoire.
  - 7 N'utiliser en aucun cas d'acides, de solutions alcalines, de solvants ou de produits inflammables dans cet appareil. Ces produits peuvent être à l'origine de blessures graves ou d'endommagement irréversible de l'appareil.
  - 8 L'utilisateur ne doit jamais faire usage de l'appareil lorsqu'il est fatigué ou sous l'emprise d'alcool ou de drogues.
  - 9 Ne jamais passer ou monter sur des supports instables. Toujours rester stable et équilibré.
  - 10 Afin de réduire le risque d'électrocution, garder toutes les connexions au sec et ne pas les laisser à terre. Ne pas toucher la fiche avec les mains mouillées.
  - 11 Le dispositif de sécurité de la poignée-pistolet permet d'éviter tout actionnement accidentel de la gâchette. Ce dispositif de sécurité NE verrouille PAS la gâchette en position marche (ON).
- 12 Veiller à ce qu'aucun individu ne se trouve dans la zone de travail.
  - 13 Fermer le couvercle avant d'utiliser la machine.
  - 14 Cet appareil est prévu pour un usage commercial.
  - 15 Respecter les consignes d'entretien figurant dans le manuel.
  - 16 Cette machine a été conçue pour une utilisation avec des produits chimiques utilisés pour le nettoyage, fournis ou recommandés par le fabricant. L'utilisation d'autres produits chimiques pour le nettoyage peut influencer sur le fonctionnement de la machine et annuler la garantie.
    - Risque d'injection : le produit peut provoquer de graves blessures en cas de pénétration dans la peau. Ne pas diriger le canon vers quelqu'un ou vers une partie du corps. En cas de pénétration, consulter immédiatement un médecin.
    - Ce système peut produire 2520 psi/ 17.3 MPa.  
Afin d'éviter une rupture et des blessures, ne pas utiliser cette pompe avec des composants ayant une puissance nominale inférieure à une pression de service de 2520 psi/17.3 MPa (comprend des pistolets pulvérisateurs, des tuyaux et des raccords de tuyaux).
    - Avant d'effectuer l'entretien, le nettoyage ou le retrait de toute pièce, couper le courant et réduire la pression.
    - Ne pas pulvériser sur des appareils ou des fils électriques.
    - Haute pression. Maintenir sans tuyères.
    - Si le branchement à un système d'eau potable est effectué, le système doit être protégé contre un retour de courant.

## Responsabilité du propriétaire/de l'utilisateur

- Avant d'utiliser ce nettoyeur pression, le propriétaire et/ou l'utilisateur doit impérativement avoir pris connaissance des consignes d'utilisation et mises en garde du fabricant.
- Il est nécessaire d'insister sur les avertissements et de les comprendre.
- Si l'utilisateur ne parle pas couramment l'anglais, l'acheteur/le propriétaire doit lire les consignes et mises en garde du fabricant avec l'utilisateur dans la langue maternelle de ce dernier et s'assurer qu'il en comprend bien le contenu.
- Le propriétaire et/ou l'utilisateur doit se familiariser avec les consignes du fabricant et les conserver afin de pouvoir s'y référer ultérieurement.

## INSTRUCTIONS DE MISE À LA TERRE

Ce produit doit être mis à la terre. En cas de mauvais fonctionnement ou de panne, la mise à la terre établit un chemin de moindre résistance pour le courant électrique afin de réduire le risque de décharge électrique. Ce produit est équipé d'un cordon doté d'un conducteur de mise à la terre de l'équipement pour une prise de mise à la terre. La prise doit être branchée dans une prise appropriée qui est correctement installée et mise à la terre en conformité avec les codes et ordonnances locaux.

### **⚠ DANGER**

*Un conducteur de mise à la terre d'équipement incorrectement branché peut entraîner un risque d'électrocution. Vérifier avec un électricien ou un technicien d'entretien qualifié en cas de doute sur la mise à terre correcte de la prise. Ne pas modifier la fiche fournie avec le produit - si elle ne peut pas être branchée, faire installer une prise appropriée par un électricien qualifié. Ne pas utiliser n'importe quel type d'adaptateur avec ce produit.*

## USA

### PROTECTION PAR INTERRUPTEUR DE COURT-CIRCUIT À LA MASSE

Afin de satisfaire à la norme électrique nationale (NFPA 70) et d'offrir une protection supplémentaire contre le risque de décharge électrique, ce jet sous pression ne devrait être raccordé qu'à une prise protégée par un interrupteur de court-circuit à la masse (GFCI).

## CANADA

NOTE - Au Canada, l'utilisation d'un adaptateur temporaire n'est pas autorisée par le Code canadien de l'électricité.

## ALIMENTATION EN EAU

### **△ ATTENTION**

*Lors de la connexion de l'entrée d'eau à la canalisation d'alimentation en eau, les réglementations locales de votre compagnie d'eau doivent être observées. Dans certaines zones, l'appareil ne doit pas être connecté directement à l'alimentation en eau potable publique. Il s'agit de s'assurer qu'il n'y a pas de retour de produits chimiques dans l'alimentation en eau. Une connexion directe par l'intermédiaire d'un réservoir de réception ou d'un disconnecteur hydraulique par exemple est autorisée.*

*D'éventuelles impuretés dans l'eau d'alimentation endommagent l'appareil. Pour prévenir ce risque, nous recommandons d'installer un filtre à eau.*

- Le tuyau d'arrosage doit avoir un diamètre minimum de 3/4 pouces.
- Le débit de l'alimentation en eau ne doit pas être inférieur à 4.4 GPM (gallons par minute).
- Pour calculer le débit, faire couler l'eau pendant une minute dans un récipient vide d'une contenance de 5 gallons.
- La température de l'eau d'alimentation ne doit pas excéder 86 °F/30 °C.
- Ne jamais aspirer d'eau contaminée par des solvants, par exemple des diluants pour peinture, de l'essence, de l'huile, etc..
- Toujours utiliser une source d'eau propre afin d'éviter toute infiltration de débris dans l'appareil. Utiliser un filtre à eau supplémentaire.

## RALLONGES

Utiliser uniquement des rallonges à 3 fils, dotées de fiches de terre à 3 fourches et de connecteurs tripolaires adaptés à la fiche du produit. Utiliser uniquement des rallonges prévues pour une utilisation extérieure. Ces rallonges sont repérables au marquage "Peut être utilisé avec des appareils électriques à l'extérieur : ranger à l'intérieur lorsque l'appareil n'est pas utilisé." Utiliser uniquement des rallonges ayant une puissance nominale qui n'est pas inférieure à celle du produit. Ne pas utiliser de rallonges endommagées. Examiner la rallonge avant de l'utiliser et la remplacer si elle est endommagée. Ne pas abîmer la rallonge et ne pas tirer brusquement sur un cordon pour le débrancher. Tenir le cordon éloigné des sources de chaleur et des bords pointus. Toujours débrancher la rallonge de la prise de courant avant de débrancher le produit de la rallonge.

### **CONSERVER CES INSTRUCTIONS !**



Lire ce manuel d'utilisation original avant la première utilisation de votre appareil, le respecter et le conserver pour une utilisation ultérieure ou pour le futur propriétaire.

- Avant la première mise en service, vous devez impérativement avoir lu les consignes de sécurité N° 5.951-949.0 !
- Contactez immédiatement le revendeur en cas d'avarie de transport.
- Vérifier le contenu de l'emballage à l'ouverture. Étendue de livraison cf. figure 1.

## Table des matières

Protection de l'environnement	FR	1
Niveaux de danger	FR	1
Aperçu général	FR	2
Symboles sur l'appareil	FR	2
Utilisation conforme	FR	3
Consignes de sécurité	FR	3
Dispositifs de sécurité	FR	3
Mise en service	FR	3
Utilisation	FR	5
Entreposage	FR	8
Transport	FR	8
Entretien et maintenance	FR	8
Assistance en cas de panne	FR	9
Garantie	FR	11
Accessoires et pièces de rechange	FR	12
Caractéristiques techniques	FR	13

## Protection de l'environnement



Les matériaux constitutifs de l'emballage sont recyclables. Ne pas jeter les emballages dans les ordures ménagères, mais les remettre à un système de recyclage.



Les appareils usés contiennent des matériaux précieux recyclables lesquels doivent être apportés à un système de recyclage. Il est interdit de jeter les batteries, l'huile et les substances similaires dans l'environnement. Pour cette raison, utiliser des systèmes de collecte adéquats afin d'éliminer les appareils hors d'usage.

Ne jetez pas l'huile moteur, le fuel, le diesel ou l'essence dans la nature. Protéger le sol et évacuer l'huile usée de façon favorable à l'environnement.

### Instructions relatives aux ingrédients (REACH)

Les informations actuelles relatives aux ingrédients se trouvent sous :

[www.kaercher.com/REACH](http://www.kaercher.com/REACH)

## Niveaux de danger

### ⚠ **DANGER**

*Pour un danger immédiat qui peut avoir pour conséquence la mort ou des blessures corporelles graves.*

### ⚠ **AVERTISSEMENT**

*Pour une situation potentiellement dangereuse qui peut avoir pour conséquence des blessures corporelles graves ou la mort.*

### ⚠ **PRÉCAUTION**

*Remarque relative à une situation potentiellement dangereuse pouvant entraîner des blessures légères.*

### **ATTENTION**

*Remarque relative à une situation éventuellement dangereuse pouvant entraîner des dommages matériels.*

# Aperçu général

## Éléments de l'appareil

### Figure 1

- 1 Capot
- 2 Dispositif de fixation de la lance (bilatéral)
- 3 Entretien système Advance RM 110/ RM 111
- 4 Roulettes pivotantes et frein de stationnement
- 5 Point de fixation pour le transport (bilatéral)
- 6 Roue
- 7 Kit de raccord d'alimentation en eau
- 8 Flexible haute pression
- 9 Kit joint torique (pour le remplacement)
- 10 Poignée-pistolet
- 11 Lance
- 12 Buse haute pression (acier inoxydable)
- 13 Réglage de la pression/ du débit à la poignée-pistolet. (option)
- 14 Cran de sécurité de la poignée-pistolet
- 15 Alimentation électrique
- 16 Arrivée d'eau avec tamis
- 17 Raccord haute pression
- 18 Cavité de marche
- 19 Orifice de remplissage pour détergent 2
- 20 Orifice de remplissage pour détergent 1
- 21 Compartiment pliant
- 22 Poignée
- 23 Pupitre de commande
- 24 Capot du compartiment de rangement
- 25 Compartiment de rangement pour accessoires
- 26 Plaque signalétique
- 27 Fermeture du capot
- 28 Réservoir d'huile
- 29 Réglage de la pression/ du débit de l'unité de pompe
- 30 Bouchon de vidange d'huile
- 31 Soupape anti-retour de l'aspiration de détergent
- 32 Flexible d'aspiration du détergent 1 avec filtre
- 33 Flexible d'aspiration du détergent 2 avec filtre

- 34 Interrupteur de service Entretien du système
- 35 Bloc de sécurité avec filtre
- 36 Chauffe-eau
- 37 Filtre fin (eau)
- 38 Vis de purge du chauffe-eau

## Zone de commande

### Figure 2

- A Interrupteur principal
  - B Thermostat
  - C Vanne de dosage du détergent
  - D Manomètre
- 1 Lampe témoin pompe
  - 2 Voyant témoin de manque d'eau
  - 3 Témoin de contrôle d'état de service
  - 4 Lampe témoin chauffage
  - 5 Témoin de contrôle Moteur
  - 6 Voyant de contrôle de défaut du chauffe-eau
  - 7 Lampe témoin service
  - 8 Lampe témoin soin système

## Repérage de couleur

- Les éléments de commande pour le processus de nettoyage sont jaunes.
- Les éléments de commande pour la maintenance et l'entretien sont en gris clair.

## Symboles sur l'appareil



*Une utilisation incorrecte des jets haute pression peut présenter des dangers. Le jet ne doit pas être dirigé sur des personnes, animaux, installations électriques actives ni sur l'appareil lui-même.*



### **Danger lié à la tension électrique !**

*Seul les électriciens spécialisés ou le personnel autorisé sont habilités à réaliser des travaux sur des composants de l'appareil.*



*Risque de brûlure provoqué par les pièces chaudes de l'installation!*

## Utilisation conforme

Nettoyage de : machines, véhicules, bâtiments, outils, façades, terrasses, appareils de jardinage, etc.

### ⚠ **DANGER**

*Risque de blessure ! En cas d'utilisation dans l'enceinte d'une station service ou dans d'autres zones à risque, respecter les consignes de sécurité correspondantes.*

Ne pas évacuer les eaux usées contenant de l'huile minérale dans la terre, les dispositifs pour eaux usées ou les canalisations. Dès lors, effectuer le nettoyage du moteur ou du bas de caisse uniquement aux postes de lavage appropriés et équipés d'un séparateur d'huile.

## Consignes de sécurité

- Respecter les dispositions légales nationales respectives pour les jets de liquide.
- Respecter les dispositions légales nationales respectives pour la prévention des accidents. Les jets de liquides doivent être contrôlés régulièrement et le résultat du contrôle consigné par écrit.

## Dispositifs de sécurité

Les dispositifs de sécurité ont pour but de protéger l'utilisateur. Par conséquent, ils ne doivent en aucun cas être désactivés ou transformés.

### Clapet de décharge doté de deux pressostats

- En cas de réduction du débit d'eau au niveau de la tête de la pompe ou avec le réglage de la servopresse, la clapet de décharge s'ouvre et une partie de l'eau est évacuée vers le côté aspiration de la pompe.
- Si la poignée-pistolet est fermés, de sorte que toute l'eau retourne vers le côté aspiration de la pompe, le pressostat du clapet de décharge désactive la pompe.

- Si la poignée-pistolet est de nouveau ouverte, le pressostat de la culasse réactive la pompe.
- Le clapet de décharge est réglé et plombé d'usine. Seul le service après-vente est autorisé à effectuer le réglage.

### Soupape de sûreté

- La soupape de sûreté s'ouvre lorsque le clapet de décharge ou le pressostat est défectueux.
- La soupape de sûreté est réglée et plombée d'usine. Seul le service après-vente est autorisé à effectuer le réglage.

### Dispositif de sécurité en cas de manque d'eau

- Le dispositif de sécurité en cas de manque d'eau permet d'éviter que le chauffage se mette en marche lorsque la quantité d'eau est insuffisante.
- La protection contre le manque d'eau désactive la pompe au bout de 2 minutes après le manque d'eau, pour éviter une marche à sec.

### Limiteur de température

- Le limiteur de la température déclenche l'installation lors de l'atteinte d'une température trop élevée.

## Mise en service

### ⚠ **AVERTISSEMENT**

*Risque de blessure ! L'appareil, les conduites d'alimentation, les flexibles haute pression et les raccords ne doivent présenter aucun défaut. Ne pas utiliser l'appareil si son état n'est pas irréprochable.*

➔ Serrer le frein de stationnement.

### Monter la poignée

#### Figure 3

### Remplacer la bouteille d'entretien système

**Remarque :** Presser fortement la bouteille lors de la mise en place afin de traverser la fermeture. Ne pas retirer la bouteille avant qu'elle ne soit vide.

**Remarque :** Pour la protection de l'appareil, le chauffage est mis hors service avec une temporisation de 5 heures quand la bouteille d'entretien système est vide.

- L'entretien système enrayer l'entartrage de la pompe avec une forte efficacité en cas d'utilisation d'eau du robinet calcaire. Il est ajouté goutte-à-goutte à l'alimentation dans le chauffe-eau.
- Le dosage est effectué d'usine pour obtenir une dureté d'eau moyenne.

**Remarque :** Le contenu de la livraison comporte une bouteille d'entretien système.

➔ Remplacer la bouteille d'entretien système.

### Régler le dosage de l'entretien système Advance RM 110/RM 111

- ➔ Déterminer la dureté de l'eau locale :
- En contactant le distributeur local,
  - avec un appareil pour essai de dureté (N° de commande 6.768-004).

Dureté d'eau (°dH)	Echelle sur l'interrupteur de service de l'entretien du système
<3	OFF (pas de dosage)
3...7	1
7...14	2
14...21	3
>21	4

➔ Régler le commutateur de service selon le tableau en fonction de la dureté de l'eau.

**Remarque :** Respecter ce qui suit lors de l'utilisation du soin système Advance 2 RM 111 :

- Protection contre l'entartrage : voir le tableau
- Entretien des pompes : régler l'interrupteur de service au moins sur la position 3.

### Faire le plein de détergent

#### ⚠ **DANGER**

*Risque de blessure !*

- Utiliser uniquement les produits Kärcher.
- N'utiliser en aucun cas de solvant (essence, acétone, diluant, etc.).

- Eviter tout contact avec les yeux ou la peau.
- Respecter les consignes de sécurité et d'utilisation fournies par le fabricant du détergent.

**Kärcher propose un assortiment individualisé de produits d'entretien et de nettoyage.**

Votre revendeur se fera un plaisir de vous conseiller.

➔ Faire le plein de détergent.

### Monter pistolet pulvérisateur à main, lance, buse et flexible haute pression

#### Figure 4

- ➔ Relier la lance à la poignée-pistolet.
- ➔ Serrer le raccord vissé de la lance à la main.
- ➔ Fixer la buse haute pression dans l'écrou-raccord.
- ➔ Installer l'écrou-raccord et le fixer solidement.
- ➔ Fixer le flexible haute pression au raccord haute pression de l'appareil.

### Montage du flexible haute pression de rechange

#### Figure 5

#### Arrivée d'eau

Pour les valeurs de raccordement, se reporter à la section Caractéristiques techniques.

- ➔ Fixer le flexible d'alimentation (longueur minimale 24.6 ft/7.5 m, diamètre minimal 3/4") avec collier de flexible au niveau du kit de raccord d'alimentation en eau.
- ➔ Raccorder la conduite d'alimentation au raccord pour l'arrivée d'eau de l'appareil et à l'alimentation en eau (ex. un robinet).

**Remarque :** Le flexible d'alimentation et le collier de flexible ne sont pas contenus dans l'étendue de livraison.



## Raccordement électrique

- Pour les données de raccordement, se référer à la section Caractéristiques techniques et à la plaque signalétique.
- Le raccordement électrique doit être effectué par un électricien et doit correspondre à la CEI 60364-1.
- La tension indiquée sur la plaque signalétique de l'appareil doit correspondre à celle de la prise.
- Seul le service client/un électricien spécialisé est autorisé à procéder au montage du connecteur électrique. Le connecteur électrique n'est pas compris dans la livraison.

### **⚠ DANGER**

*Risque d'électrocution.*

- *Des rallonges électriques non adaptées peuvent présenter des risques. Utiliser à l'air libre uniquement des câbles de rallonge électriques autorisés et marqués de façon adéquate avec une section suffisante du conducteur.*
- *Toujours dérouler complètement les conduites de rallonge.*
- *Les fiches mâles et les raccords des câbles de rallonge utilisés doivent être étanches à l'eau.*

## Utilisation

### **⚠ DANGER**

*Risque d'explosion !*

*Ne pas pulvériser de liquides inflammables.*

### **⚠ DANGER**

*Risque de blessure ! Ne jamais utiliser l'appareil si la lance n'est pas montée. Contrôler avant chaque utilisation la bonne fixation de la lance. Le raccord vissé de la lance doit être serré à la main.*

## Consignes de sécurité

### **⚠ AVERTISSEMENT**

*À cause des vibrations, une durée d'utilisation plus long de l'appareil peut amener aux troubles de l'irrigation sanguine dans les mains.*

Il est impossible de définir une durée d'utilisation universelle. Celle-ci dépend en effet de plusieurs facteurs d'influence :

- Mauvaise circulation sanguine de l'utilisateur (doigts souvent froids, sensation de picotement dans les doigts).
- Température ambiante faible. Porter des gants chauds pour protéger les mains.
- Une préhension ferme peut entraver la circulation sanguine.
- Il est conseillé de ponctuer le travail de pauses plutôt que d'assurer un service ininterrompu.

En cas d'utilisation régulière et de longue durée de l'appareil et en cas d'apparition répétée des symptômes caractéristiques (par exemple, une sensation de picotement dans les doigts, les doigts froids), nous recommandons de consulter un médecin.

## Chauffe-eau

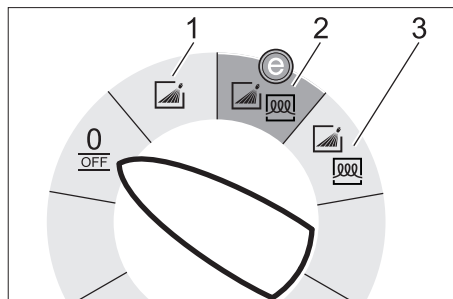
**Remarque :** Si le degré de dureté de l'eau utilisée est particulièrement élevé, cela peut entraîner une floculation de calcaire dans le chauffe-eau. Ceci est un processus naturel et n'entrave pas le fonctionnement de l'appareil, si les intervalles de maintenance sont respectés (cf. Entretien et maintenance").

## Remplacer la buse

### **⚠ DANGER**

*Mettre l'appareil hors service et actionner la poignée-pistolet jusqu'à ce que l'appareil soit hors pression avant de procéder au remplacement de la buse.*

## Modes de fonctionnement



0/OFF = Arrêt

- 1 Utilisation avec de l'eau froide
- 2 Niveau Eco!Efficiency (eau chaude maxi 140 °F/60° C)
- 3 Utilisation avec de l'eau chaude

## Mettre l'appareil en marche

- Mettre l'interrupteur principal sur le mode de fonctionnement souhaité. Le témoin de contrôle d'état de service s'allume.

L'appareil se met en marche pendant une courte durée puis s'arrête dès que la pression de service est atteinte.

**Remarque** : Si, au cours du service, les témoins de contrôle pompe, manque d'eau, défaut du chauffage ou moteur s'allument, mettre immédiatement l'appareil hors tension et réparer la panne. Cf. "Aide en cas de Pannes".

- Armer la poignée-pistolet. Dès que la poignée-pistolet est actionnée, l'appareil se remet en marche.

**Remarque** : S'il ne sort pas d'eau de la buse haute pression, purger l'air de la pompe. Se reporter à la section "Aide en cas de pannes - L'appareil n'établit aucune pression".

## Régler la température de nettoyage

- Régler le thermostat sur la température souhaitée.

**86 °F/30 °C à 185 °F/85 °C** :

- Nettoyer à l'eau chaude.

## Régler la pression de service et le débit

### Réglage de la pression/ du débit de l'unité de pompe

- Tourner la tige de réglage dans le sens des aiguilles d'une montre : augmentation de la pression de service (MAX).  
→ Tourner la tige de réglage dans le sens inverse des aiguilles d'une montre : réduction de la pression de service (MIN).

### Réglage de la pression/ du débit à la poignée-pistolet.

- Régler la pression de travail sur l'unité de pompe à la valeur maximale.  
→ Régler la pression d'utilisation et le débit à la poignée-pistolet en tournant (en continu) le régulateur de pression/de débit (+/-).

### ⚠ DANGER

*Lors du réglage de la régulation de quantité/de pression, veiller que le raccord vissé de la lance ne se desserre pas.*

**Remarque** : Si des travaux de longue durée doivent être effectués à pression réduite, régler la pression au niveau de l'unité de pompe.

## Fonctionnement avec détergent

- Respecter l'environnement en utilisant le détergent avec parcimonie.
  - Le détergent doit être adapté à la surface à nettoyer.
- A l'aide de la vanne de dosage du détergent, régler la concentration du détergent conformément aux prescriptions du fabricant.

**Remarque** : Valeurs indicatives sur le pupitre de commande pour la pression de service maximale.

## Nettoyage

→ Adapter la pression/la température et la concentration de détergent en fonction de la surface à nettoyer.

**Remarque** :Toujours diriger le jet haute pression sur l'objet tout d'abord à bonne distance afin d'éviter tout dommage provoqué par une pression trop élevée.

### Méthode de nettoyage conseillée

- Dissoudre la saleté :
- Pulvériser le détergent avec parcimonie puis le laisser agir entre 1 et 5 minutes sans toutefois le laisser sécher.
- Eliminer la saleté :
- Retirer les saletés dissoutes au moyen du jet haute pression.

### Utilisation avec de l'eau froide

Elimination de salissures légères et rinçage à l'eau claire, ex. : appareils de jardinage, terrasse, outils, etc.

→ Régler la pression de service en fonction des besoins.

### Niveau Eco!Efficiency

L'appareil fonctionne dans la plage de température économique.

**Remarque** : La température peut être régulée jusqu'à 140 °F/60 °C.

### Utilisation avec de l'eau chaude

Nous recommandons les températures de nettoyage suivantes :

- Salissures légères  
**86 °F/30 °C-122 °F/50 °C**
- Salissures albuminées, par ex. dans l'industrie alimentaire  
**max. 140 °F/60 °C**
- Nettoyage de véhicules, de machines  
**140 °F/60 °C-185 °F/85 °C**

#### ⚠ **DANGER**

*Risque de brûlure !*

→ Régler le thermostat sur la température souhaitée.

**Remarque** :En cas de changement du réglage de la pression de travail et du débit, la température de l'eau change aussi.

## Après utilisation avec un détergent

- Positionner la vanne de dosage du détergent sur "0".
- Mettre l'interrupteur principal sur le niveau (fonctionnement avec de l'eau froide).
- Rincer l'appareil à l'eau claire pendant 1 minute au minimum en gardant la poignée-pistolet ouverte.

### Mise hors service de l'appareil

#### ⚠ **DANGER**

*Risque de brûlure provoquée par l'eau chaude ! Après l'utilisation de l'appareil avec de l'eau chaude, ce dernier doit être actionné, pistolet ouvert, au minimum cinq minutes avec de l'eau froide afin de le faire refroidir.*

- Positionner l'interrupteur sur '0/OFF'.
- Couper l'alimentation en eau.
- Ouvrir le pistolet manuel.
- Actionner la pompe un court moment (environ 5 secondes) au moyen de l'interrupteur principal.
- En veillant à avoir les mains bien sèches, débrancher la fiche secteur.
- Déconnecter l'arrivée d'eau.
- Actionner la poignée-pistolet jusqu'à ce que l'appareil soit hors pression.
- Sécuriser la poignée-pistolet.

### Ranger l'appareil

- Enclencher la lance dans le dispositif de fixation situé sur le capot de l'appareil.
- Enrouler le flexible haute pression et le câble électrique et les placer dans les dispositifs de fixation prévus à cet effet.

**Remarque** :Ne pas plier le flexible haute pression ni le câble électrique.

### Protection antigel

#### **ATTENTION**

*Le gel peut endommager l'appareil si l'eau n'a pas été intégralement vidée.*

→ Stocker l'appareil dans un lieu à l'abri du gel.

S'il n'est pas possible de le conserver dans un endroit protégé du gel, remiser l'appareil.

## Remisage

En cas d'interruption de longue durée ou s'il n'est pas possible de conserver l'appareil dans un lieu protégé du gel :

- Purger l'eau.
- Rincer l'appareil au moyen de produit antigel.
- Vider le réservoir de détergent.

## Purger l'eau

- Dévisser le tuyau d'alimentation en eau et le flexible haute pression.
- Dévisser la vis de purge du chauffe-eau et laisser couler le chauffe-eau.
- Faire tourner l'appareil au max. 1 minute jusqu'à ce que la pompe et les conduites soient entièrement vides.

## Rincer l'appareil au moyen de produit antigel

**Remarque :** Respecter les consignes d'utilisation du fabricant du produit antigel.

- Verser un produit antigel du commerce dans le chauffe-eau.
- Mettre l'appareil sous tension (sans chauffage) jusqu'à ce que celui-ci soit intégralement rincé.

Cette opération permet en outre de bénéficier d'une certaine protection anticorrosion.

## Entreposage

### ⚠ **PRÉCAUTION**

*Risque de blessure et d'endommagement ! Prendre en compte le poids de l'appareil à l'entreposage.*

## Transport

### Figure 6

#### **ATTENTION**

*Risque d'endommagement ! Lors du chargement de l'appareil avec un chariot élévateur, respecter l'illustration.*

### ⚠ **PRÉCAUTION**

*Risque de blessure et d'endommagement ! Respecter le poids de l'appareil lors du transport.*

- Sécuriser l'appareil contre les glissements ou les basculements selon les directives en vigueur lors du transport dans des véhicules.

## Entretien et maintenance

### ⚠ **DANGER**

*Risque de blessure et de choc électrique par un démarrage inopiné de l'appareil. Avant d'effectuer tout type de travaux sur l'appareil, le mettre hors service et débrancher la fiche électrique.*

- Positionner l'interrupteur sur '0/OFF'.
- Couper l'alimentation en eau.
- Ouvrir le pistolet manuel.
- Actionner la pompe un court moment (environ 5 secondes) au moyen de l'interrupteur principal.
- En veillant à avoir les mains bien sèches, débrancher la fiche secteur.
- Déconnecter l'arrivée d'eau.
- Actionner la poignée-pistolet jusqu'à ce que l'appareil soit hors pression.
- Sécuriser la poignée-pistolet.
- Laisser refroidir l'appareil.

**Votre commerçant spécialisé Kärcher vous informe de l'exécution d'une inspection de sécurité régulière ou de la conclusion d'un contrat de maintenance.**

## Fréquence de maintenance

### Hebdomadairement

- Nettoyer le tamis de l'arrivée d'eau.
- Nettoyer le filtre fin.
- Vérifier le niveau d'huile.

### **ATTENTION**

*Si l'huile prend une apparence laiteuse, contacter immédiatement le service après-vente Kärcher.*

### Mensuellement

- Nettoyer le filtre dans le bloc de sécurité.
- Nettoyer le filtre situé sur le tuyau d'aspiration de détergent.

### Après 400 heures de service, au moins annuellement.

- Contrôler le degré d'entartrage du chauffe-eau et faire nettoyer si nécessaire le chauffe-eau par le service après-vente.

### Après 500 heures de service, au moins annuellement

- Remplacer l'huile.

## Travaux de maintenance

### Nettoyer le tamis de l'arrivée d'eau

- Déposer le tamis.
- Nettoyer le tamis dans l'eau puis le remettre en place.

### Nettoyage du filtre fin

- Mettre l'appareil hors pression.
- Dévisser le filtre de précision sur le chauffe-eau.
- Démonter le filtre de précision et retirer la cartouche filtrante.
- Nettoyer la cartouche filtrante à l'eau propre ou à l'air comprimé.
- Remonter en suivant les étapes dans l'ordre inverse.

### Nettoyer le filtre dans le bloc de sécurité

- Desserrer l'écrou-raccord et retirer le tuyau.
- Extraire le tamis.

**Remarque :** Le cas échéant, tourner la vis M8 d'environ 0.2 in/5 mm vers l'intérieur de manière à pouvoir retirer le tamis.

- Nettoyer le tamis dans l'eau.
- Replacer le tamis.
- Positionner le tuyau.
- Serrer l'écrou-raccord.

### Nettoyer le filtre situé sur le tuyau d'aspiration de détergent

- Retirer les tubulures d'aspiration de détergent.
- Nettoyer le filtre dans l'eau puis le remettre en place.

### Remplacer l'huile

- Préparer un récipient de récupération pouvant contenir environ 0.26 gal/1 litre d'huile.
- Desserrer la visse de vidange.

Éliminer l'huile usagée en respectant l'environnement ou l'apporter à un centre de collecte.

- Revisser la vis de vidange.
- Remplir doucement le réservoir d'huile jusqu'au repère MAX.

**Remarque :** Les bulles d'air doivent pouvoir s'échapper.

**Pour les types d'huile et les quantités de remplissage, se reporter à la section Caractéristiques techniques.**

## Assistance en cas de panne

### ⚠ DANGER

*Risque de blessure et de choc électrique par un démarrage inopiné de l'appareil. Avant d'effectuer tout type de travaux sur l'appareil, le mettre hors service et débrancher la fiche électrique.*

## Lampe témoin pompe

### 1x clignotement

- Manque d'huile
- Verser l'huile.

### 2x clignotement

- Présence d'une fuite dans le système haute pression
- Vérifier l'absence de fuite au niveau du système haute pression et des raccords.

### 3x clignotement

- Manque d'eau après 2 minutes - La pompe est désactivée pour éviter une marche à sec
- Contrôler le raccord d'eau, contrôler les conduites d'alimentation

### 4x clignotement

- Défaut de contacteur du chauffage
- Positionner l'interrupteur sur '0/OFF'.
- Allumer l'appareil.
- Le défaut se reproduit.
- Informer le service après-vente.

### **Voyant témoin de manque d'eau**

- Manque d'eau - Le chauffage est mis hors service
- ➔ Contrôler le raccord d'eau, contrôler les conduites d'alimentation

### **Le témoin de contrôle d'état de service s'éteint**

- Absence de tension secteur, voir "L'appareil ne fonctionne pas".

### **La lampe témoin chauffage est allumée**

- Fonctionnement du chauffage

### **Témoin de contrôle Moteur**

#### **2x clignotement**

- Le moteur est excessivement sollicité/ en surchauffe
- ➔ Positionner l'interrupteur sur '0/OFF'.
- ➔ Laisser refroidir l'appareil.
- ➔ Allumer l'appareil.
- Le défaut se reproduit.
- ➔ Informer le service après-vente.

#### **3x clignotement**

- Défaut dans l'alimentation électrique.
- ➔ Vérifier l'alimentation électrique et les fusibles.

#### **4x clignotement**

- Le courant absorbé est trop grand.
- ➔ Vérifier l'alimentation électrique et les fusibles.
- ➔ Informer le service après-vente.

### **Voyant de contrôle de défaut du chauffe-eau**

#### **1x clignotement**

- Le limiteur de température s'est déclenché
- ➔ Positionner l'interrupteur sur '0/OFF'.
- ➔ Laisser refroidir l'appareil.
- ➔ Allumer l'appareil.
- Le défaut se reproduit.
- ➔ Informer le service après-vente.

#### **3x clignotement**

- Identification du soin système défectueux
- ➔ Informer le service après-vente.

#### **4x clignotement**

- Capteur de température défectueux
- ➔ Informer le service après-vente.

### **Lampe témoin service**

- Intervalle de service
- ➔ Exécuter des travaux de service.

### **La lampe témoin soin système est allumée**

**Remarque :** Le fonctionnement du chauffage est encore possible pendant 5 heures.

- La bouteille de soin système est vide.
- ➔ Remplacer la bouteille d'entretien système.

### **La lampe témoin soin système clignote**

**Remarque :** Le fonctionnement du chauffage n'est plus possible.

- La bouteille de soin système est vide.
- ➔ Remplacer la bouteille d'entretien système.

### **L'appareil ne fonctionne pas**

- Pas de tension secteur
- ➔ Contrôler le raccordement au réseau/le câble électrique.

### **L'appareil n'établit aucune pression**

- Présence d'air dans le système
- Purger la pompe :
- ➔ Positionner la vanne de dosage du détergent sur "0".
- ➔ En gardant la poignée-pistolet ouverte, mettre plusieurs fois l'appareil hors et sous tension.
- ➔ Ouvrir et fermer la régulation de quantité / de pression de l'unité de pompe avec une poignée-pistolet ouverte.

**Remarque :** En démontant le flexible haute pression du raccord haute pression, le processus de purge est accéléré.

- Si le réservoir de détergent est vide, le remplir.
- Contrôler les raccords et les conduites.
  - La pression est réglée sur MIN
- Régler la pression sur MAX.
  - Le tamis de l'arrivée d'eau est encrassé
- Nettoyer le tamis.
- Nettoyer le filtre fin, le remplacer si nécessaire.
  - Le débit de l'alimentation en eau est trop faible
- Contrôler le débit de l'alimentation en eau (voir la section Caractéristiques techniques).

### **L'appareil présente un fuit, de l'eau s'écoule de l'appareil par le bas**

- La pompe fuit.
- Remarque :** Une fuite de 3 gouttes/minute est autorisée.
- En cas de fuite plus importante, faire vérifier l'appareil par le service après-vente.

**Remarque :** En raison des condensats, il est possible que davantage de gouttes se déposent sur l'appareil.

### **Lorsque la poignée-pistolet est fermée, l'appareil ne cesse de se mettre sous et hors tension**

- Présence d'une fuite dans le système haute pression
- Vérifier l'absence de fuite au niveau du système haute pression et des raccords.

### **L'appareil n'aspire pas de détergent**

- Laisser fonctionner l'appareil avec la vanne de dosage de détergent ouverte et l'alimentation en eau coupée jusqu'à ce que le chauffage soit vide et que la pression retombe à "0".
  - Ouvrir de nouveau l'arrivée d'eau.
- Si la pompe n'aspire toujours pas de détergent, les causes peuvent en être les suivantes :
- Le filtre du tuyau d'aspiration du détergent est encrassé
  - Nettoyer le filtre.

- Le clapet anti-retour est collé
- Démontez le tuyau de détergent et dévissez le clapet anti-retour à l'aide d'un objet non contondant.

### **Le chauffe-eau ne chauffe pas**

- La bouteille de soin système est vide.
- Remplacer la bouteille d'entretien système.
- Manque d'eau
- Contrôler le raccord d'eau, contrôler les conduites d'alimentation
- Chauffage défectueux.
- Informer le service après-vente.

### **Lorsque l'appareil est utilisé avec de l'eau chaude, il n'atteint pas la température réglée**

- La pression de service/le débit est trop élevé(e)
- Réduire la pression de travail/le débit à la régulation de la pression / de la quantité de l'unité de pompe.

### **Service après-vente**

**Si la panne ne peut être réparée, l'appareil doit être contrôlé par le service après-vente.**

### **Garantie**

Dans chaque pays, les conditions de garantie en vigueur sont celles publiées par notre société de distribution responsable. Nous éliminons gratuitement d'éventuelles pannes sur l'appareil au cours de la durée de la garantie, dans la mesure où une erreur de matériau ou de fabrication en sont la cause.

## **Accessoires et pièces de rechange**

- Utiliser uniquement des accessoires et des pièces de rechange autorisés par le fabricant. Des accessoires et des pièces de rechange d'origine garantissent un fonctionnement sûr et parfait de l'appareil.
- Une sélection des pièces de rechange utilisées le plus se trouve à la fin du mode d'emploi.
- Vous trouverez plus d'informations sur les pièces de rechange dans le menu Service du site [www.kaercher.com](http://www.kaercher.com).



## Caractéristiques techniques

		HDS-E 3.3/25-4M Ec	HDS-E 3.3/25-4M Ef
<b>Raccordement au secteur</b>			
Tension	V	460	575
Type de courant	Hz	3~ 60	3~ 60
Puissance de raccordement	kW	30	30
Protection (à action retardée)	A	50	50
Type de protection	--	IPX5	IPX5
Classe de protection	--	I	I
<b>Arrivée d'eau</b>			
Température d'alimentation (max.)	°F (°C)	86 (30)	86 (30)
Débit d'alimentation (min.)	gpm (l/min)	4.4 (16.7)	4.4 (16.7)
Pression d'alimentation (max.)	psi (MPa)	87 (0.6)	87 (0.6)
<b>Performances</b>			
Débit d'eau	gpm (l/min)	1.6-3.3 (6.1-12.3)	1.6-3.3 (6.1-12.3)
Pression de service de l'eau (avec buse standard)	psi (MPa)	465-2520 (3.2-17.3)	465-2520 (3.2-17.3)
Pression maximale de marche (clapet de sécurité)	psi (MPa)	2972 (20.5)	2972 (20.5)
Température de service max de l'eau chaude	°F (°C)	185 (85)	185 (85)
Température d'arrêt eau chaude	°F (°C)	208 (98)	208 (98)
Température de service en mode continu à une température d'alimentation de 59 °F/ 15° C	°F (°C)	113 (45)	113 (45)
Aspiration de détergent	gpm (l/min)	0-0.13 (0-0.5)	0-0.13 (0-0.5)
Puissance de chauffage	kW	24	24
Force de réaction max. de la poignée-pistolet	N	37.2	37.2
Taille d'injecteur	--	045	045
<b>Valeurs déterminées selon EN 60355-2-79</b>			
Émission sonore			
Niveau de pression acoustique L <sub>pA</sub>	dB(A)	67	67
Incertitude K <sub>pA</sub>	dB(A)	3	3
Niveau de pression acoustique L <sub>WA</sub> + incertitude K <sub>WA</sub>	dB(A)	85	85
Valeur de vibrations bras-main			
Poignée-pistolet	m/s <sup>2</sup>	4.5	4.5
Lance	m/s <sup>2</sup>	1.9	1.9
Incertitude K	m/s <sup>2</sup>	0.3	0.3
<b>Carburants</b>			
Quantité d'huile	gal (l)	0.2 (0.75)	0.2 (0.75)
Types d'huile	--	SAE 90	SAE 90
<b>Dimensions et poids</b>			
Longueur x largeur x hauteur	in (mm)	52.5 x 29.5 x 41.5 (1330 x 750 x 1060)	52.5 x 29.5 x 41.5 (1330 x 750 x 1060)
Poids de fonctionnement typique	lbs (kg)	423 (192)	423 (192)
Réservoir de détergent	gal (l)	2.6+5.3 (10+20)	2.6+5.3 (10+20)
Contenu total du chauffe-eau	gal (l)	13.2 (50)	13.2 (50)

## INSTRUCCIONES IMPORTANTES DE SEGURIDAD

### ⚠ **ADVERTENCIA**

*Al utilizar este producto, tome siempre las precauciones básicas, incluidas las siguientes:*

- 1 Lea todas las instrucciones antes de usar el producto.
- 2 Los aparatos a alta presión pueden resultar peligrosos si se usan de forma incorrecta. No se debe dirigir el aparato a personas, animales, dispositivos eléctricos o la equipo mismo.
- 3 Para reducir el riesgo de lesiones, es preciso vigilar atentamente si se usa el producto cerca de niños.
- 4 Es necesario saber cómo parar rápidamente el producto y parar hemorragias. Estar familiarizado con los mandos.
- 5 Estar atento, prestar atención a lo que se está haciendo.
- 6 Utilizar gafas de seguridad.
- 7 No usar ácidos, alcalinos, disolventes, o cualquier material inflamable con este producto. Estos productos pueden causar heridas físicas al operario y daños irreparables a la máquina.
- 8 No ponga en funcionamiento el producto si está cansado o está bajo la influencia de alcohol o drogas.
- 9 No sobrecargar o colocar sobre un soporte inestable. Mantener el equilibrio en todo momento.
- 10 Para reducir el riesgo de electrocución, mantenga todas las conexiones secas y alejadas del suelo. No toque el enchufe con las manos mojadas.
- 11 El seguro del gatillo de la pistola evita que el gatillo salte de forma involuntaria. El dispositivo de seguridad NO bloquea el gatillo en la posición ON (encendido).
- 12 Mantenga la zona de trabajo libre de personas.
- 13 Cierre la cubierta antes de operar con la máquina.
- 14 Este aparato está diseñado para uso comercial.
- 15 Seguir las instrucciones de mantenimiento especificadas en el manual.
- 16 Esta máquina ha sido diseñada para su uso con los agentes químicos de limpieza provistos o recomendados por el fabricante. El uso de otros agentes químicos de limpieza puede afectar al funcionamiento de la máquina y extinguir la garantía.
  - Riesgo de inyección: el equipo puede causar graves lesiones si el spray penetra en la piel. No dirija la pistola hacia nadie ni a ninguna parte del cuerpo. En caso de penetración, busque ayuda médica de inmediato.
  - Este sistema puede rendir 2520 psi/ 17.3 MPa.

Para evitar roturas y lesiones no opere esta bomba con componentes clasificados por debajo de los 2520 psi/ 17.3 MPa de presión de trabajo (incluyendo, pero sin limitarse a, pistolas de spray, mangueras y conexiones de manguera).
  - Antes de usar, limpiar o quitar cualquier pieza, desconecte el fluido eléctrico y libere presión.
  - No pulverice sobre ningún aparato o cable eléctrico.
  - Alta presión. Manténgase lejos de la boquilla.
  - Si la conexión se hace con un sistema de agua potable, se debe proteger el sistema contra reflujos.

## Responsabilidades del propietario/ usuario

- El propietario y/o el usuario deben comprender bien las instrucciones de servicio y advertencias del fabricante antes de empezar a utilizar este limpiador de alta presión.
- Debe prestarse especial atención y tener muy claras las advertencias.
- Si el operador no habla bien el español, el propietario/comprador debe responsabilizarse de leer y comentar las instrucciones y las advertencias en su lengua natal, y asegurarse de que entienda a la perfección su contenido.
- El propietario y/o el usuario deben leer y guardar como referencia para el futuro las instrucciones del fabricante.

## INSTRUCCIONES DE PUESTA A TIERRA

Este producto se tiene que poner a tierra. Si funcionase mal o si se rompiese, la puesta a tierra proporcionaría un circuito menos resistente a la energía eléctrica para reducir el riesgo de electrochoque. Este producto está equipado con un cable que tiene un conductor a tierra del equipo para un enchufe a tierra. El enchufe se tiene que enchufar a un tomacorriente adecuado, que esté correctamente instalado y puesto a tierra conforme a todas las normas y reglamentos locales.

### **⚠ PELIGRO**

*Si la conexión del conductor a tierra del equipo es incorrecta puede existir riesgo de electrochoque. En caso de duda, compruebe con ayuda de un electricista cualificado o del personal del servicio técnico que el tomacorriente está correctamente puesto a tierra. No modifique el enchufe proporcionado con el producto; si no encaja en el tomacorriente, pida a un electricista cualificado que le instale un tomacorriente adecuado. No utilice ningún tipo de adaptador con este producto.*

## USA

### PROTECCIÓN DE INTERRUPTOR DE CIRCUITO DE FALTA DE TIERRA

Para cumplir con el Código de electricidad nacional (NFPA 70) y ofrecer protección adicional contra el peligro de descargas eléctricas, esta limpiadora de alta presión sólo debe estar conectada a un receptáculo protegido por interruptor de toma a tierra (GFCI).

## CANADA

NOTA: en Canadá el Canadian Electrical Code [Código Eléctrico Canadiense] no autoriza el uso de un adaptador temporal.

## SUMINISTRO DE AGUA

### **△ ATENCIÓN**

*Al conectar la toma de agua a la red de suministro del agua, es obligatorio respetar la normativa local establecida por la compañía del agua. En algunas zonas, está prohibido conectar la unidad directamente a la red pública de suministro de agua potable. Esto es así para garantizar que no penetren sustancias químicas en la red de suministro del agua. Sí se permite efectuar la conexión directamente por ejemplo a través de un depósito receptor o un dispositivo antirretorno.*

*Si el agua de alimentación está sucia, la unidad sufrirá daños. Para evitar este riesgo, le recomendamos que monte un filtro de agua.*

- La manguera del jardín debe tener al menos un diámetro de 3/4 pulgadas.
- El índice de flujo de agua no deben ser inferior a 4.4 GPM (galones por minuto).
- El índice de flujo se puede determinar si se deja correr el agua durante un minuto en un bidón de 5 galones.
- La temperatura de agua no debe exceder los 86°F/30°C.
- No usar la limpiadora de alta presión para agua contaminada con disolventes, por ejemplo para diluir pintura, gasolina, aceite etc.
- Evitar que entren escombros en la unidad, para ello use una fuente de agua limpia. Use un filtro adicional de agua.

## CABLES PROLONGADORES

Use sólo cables prolongadores de 3 hilos que dispongan de clavijas de 3 puntas, del tipo puesta a tierra, y conectores de 3 polos que acepten la toma del producto. Use sólo cables prolongadores diseñados para uso en exteriores. Estos cables prolongadores están identificados por la leyenda "Apto para su uso con aparatos de exterior: guárdelos bajo techo siempre que no los use". Use sólo cables prolongadores que tengan una clasificación eléctrica igual o superior a la clasificación del producto. No use cables prolongadores dañados. Examine el cable prolongador antes de usarlo y, si está dañado, reemplácelo. No haga un mal uso del cable prolongador y no tire del cable para desconectarlo. Mantenga el cable alejado de fuentes de calor y de bordes cortantes. Desconecte siempre el cable prolongador de la caja antes de desconectar el producto del cable prolongador.

### **CONSERVE ESTAS INSTRUCCIONES!**



Antes del primer uso de su aparato, lea este manual original, actúe de acuerdo a sus indicaciones y guárdelo para un uso posterior o para otro propietario posterior.

- ¡Antes de la primera puesta en marcha lea sin falta las instrucciones de uso y las instrucciones de seguridad n.º 5.951-949.0!
- En caso de daños de transporte informe inmediatamente al fabricante.
- Comprobar el contenido del paquete al desembalar. Consultar el contenido en la imagen 1.

## Índice de contenidos

Protección del medio ambiente	ES	1
Niveles de peligro . . . . .	ES	1
Resumen . . . . .	ES	2
Símbolos en el aparato . . . . .	ES	2
Uso previsto . . . . .	ES	3
Indicaciones de seguridad . . .	ES	3
Dispositivos de seguridad . . . .	ES	3
Puesta en marcha . . . . .	ES	3
Manejo . . . . .	ES	5
Almacenamiento . . . . .	ES	8
Transporte . . . . .	ES	8
Cuidados y mantenimiento . . .	ES	8
Ayuda en caso de avería . . . .	ES	9
Garantía . . . . .	ES	11
Accesorios y piezas de repuesto	ES	11
Datos técnicos . . . . .	ES	12

## Protección del medio ambiente



Los materiales empleados para el embalaje son reciclables y recuperables. No tire el embalaje a la basura doméstica y entréguelo en los puntos oficiales de recogida para su reciclaje o recuperación.



Los aparatos viejos contienen materiales valiosos reciclables que deberían ser entregados para su aprovechamiento posterior. Evite el contacto de baterías, aceites y materias semejantes con el medio ambiente. Por este motivo, entregue los aparatos usados en los puntos de recogida previstos para su reciclaje.

Por favor, no deje que el aceite para motores, el aceite caliente y la gasolina dañen el medio ambiente. Evite que sustancias nocivas penetren en el suelo y elimine el aceite usado de forma que no dañe el medio ambiente.

### Indicaciones sobre ingredientes (REACH)

Encontrará información actual sobre los ingredientes en:

[www.kaercher.com/REACH](http://www.kaercher.com/REACH)

## Niveles de peligro

### ⚠ PELIGRO

*Para un peligro inminente que acarrea lesiones de gravedad o la muerte.*

### ⚠ ADVERTENCIA

*Para una situación que puede ser peligrosa, que puede acarrear lesiones de gravedad o la muerte.*

### ⚠ PRECAUCIÓN

*Indicación sobre una situación que puede ser peligrosa, que puede acarrear lesiones leves.*

### ⚠ CUIDADO

*Aviso sobre una situación probablemente peligrosa que puede provocar daños materiales.*

# Resumen

## Elementos del aparato

### Figura 1

- 1 Capó del aparato
- 2 Soporte para la lanza dosificadora (por ambos lados)
- 3 Producto para cuidado del sistema Advance RM 110/RM 111
- 4 Rodillo-guía con freno de estacionamiento
- 5 Punto de fijación para el transporte (por ambos lados)
- 6 Rueda
- 7 Set de toma de agua
- 8 Manguera de alta presión
- 9 Set de anillos obturadores (de repuesto)
- 10 Pistola pulverizadora manual
- 11 Lanza dosificadora
- 12 Boquilla de alta presión (acero)
- 13 Regulación de la presión/caudal en la pistola pulverizadora manual. (Opción)
- 14 Bloque de seguridad de la pistola pulverizadora manual
- 15 Conexión eléctrica
- 16 Conexión de agua con filtro
- 17 Conexión de alta presión
- 18 Peldaño
- 19 Abertura de llenado para combustible 2
- 20 Abertura de llenado para combustible 1
- 21 Cajón abatible
- 22 Estribo de manejo
- 23 Panel de control
- 24 Tapa para el depósito
- 25 Depósito para accesorios
- 26 Placa de características
- 27 Cierre del capó
- 28 Recipiente de aceite
- 29 Regulación de la presión/caudal de la unidad de bomba.
- 30 Tornillo purgador de aceite
- 31 Válvula de retención del sistema de absorción de detergentes
- 32 Manguera de detergente con 1 filtro
- 33 Manguera de detergente con 2 filtro
- 34 Interruptor de servicio de mantenimiento del sistema

- 35 Bloque de seguridad con filtro
- 36 Calentador agua
- 37 Filtro de depuración fina (agua)
- 38 Tornillo purgador del calentador

## Panel de control

### Figura 2

- A Interruptor del aparato
- B Regulador de temperatura
- C Válvula dosificadora de detergente
- D Manómetro
- 1 Piloto de control de la bomba
- 2 Piloto de aviso de falta de agua
- 3 Piloto de control de disponibilidad de servicio
- 4 Piloto de control calefacción
- 5 Piloto de control del motor
- 6 Piloto de control de la avería del calentador
- 7 Piloto de control revisión
- 8 Piloto de control producto para cuidado del sistema

## Identificación por colores

- Los elementos de control para el proceso de limpieza son amarillos.
- Los elementos de control para el mantenimiento y el servicio son de color gris claro.

## Símbolos en el aparato



Los chorros a alta presión pueden ser peligrosos si se usan indebidamente. No dirija el chorro hacia personas, animales o equipamiento eléctrico activo, ni apunte con él al propio aparato.



### ¡Peligro por descarga eléctrica!

Sólo electricistas cualificados o personal autorizado pueden realizar trabajos en los componentes de la instalación.



¡Riesgo de quemaduras por superficies calientes!

## Uso previsto

Limpieza de: Máquinas, vehículos, edificios, herramientas, fachadas, terrazas, herramientas de jardín, etc.

### ⚠ **PELIGRO**

*¡Peligro de lesiones! Cuando se utilice en gasolina o en otras zonas de peligro deberán tenerse en cuenta las instrucciones de seguridad.*

Las aguas residuales que contengan aceite no deben penetrar en el suelo ni verterse en aguas naturales o en el sistema de canalización. Por ello, el lavado de motores y el lavado de los bajos sólo debe realizarse en lugares adecuados con un separador de aceite.

## Indicaciones de seguridad

- Respetar las normativas vigentes nacionales correspondientes para eyectores de líquidos.
- Respetar las normativas vigentes nacionales correspondientes de prevención de accidentes. Los eyectores de líquidos deben ser examinados regularmente y tiene que guardarse una copia escrita de la revisión.

## Dispositivos de seguridad

La función de los dispositivos de seguridad es proteger al usuario y está prohibido ponerlos fuera de servicio y modificar o ignorar su funcionamiento.

### Válvula de rebose con dos presóstatos

- Al reducir la cantidad de agua en el cabezal de la bomba o con el sistema de regulación Servopress se abre la válvula de rebose y una parte del agua refluye al lado de succión de la bomba.
- Si se cierra la pistola pulverizadora, de manera que todo el agua circule de vuelta al lado de succión de la bomba, el presóstato en la válvula de rebose desconecta la bomba.

- Si se vuelve a abrir la pistola pulverizadora manual el presóstato en la culata conecta de nuevo la bomba.
- La válvula de rebose ha sido ajustada y precintada en fábrica. El ajuste lo debe realizar solamente el servicio postventa.

### Válvula de seguridad

- La válvula de seguridad se abre cuando la válvula de rebose o el presóstato están defectuosos.
- La válvula de seguridad ha sido ajustada y precintada en fábrica. El ajuste lo debe realizar solamente el servicio postventa.

### Dispositivo de seguridad contra el funcionamiento en seco

- El dispositivo de seguridad contra el funcionamiento en seco evita que la calefacción se conecte en caso de falta de agua.
- El seguro contra la falta de agua desconecta la bomba a los 2 minutos en caso de falta de agua para evitar la marcha en seco.

### Limitador de la temperatura

- El limitador de la temperatura desconecta la calefacción al alcanzar una temperatura demasiado alta.

## Puesta en marcha

### ⚠ **ADVERTENCIA**

*Peligro de lesiones El aparato, los tubos de alimentación, la manguera de alta presión y las conexiones deben estar en perfecto estado. Si no está en perfecto estado, no debe utilizarse.*

➔ Active el freno de estacionamiento.

### Montar el estribo de manejo

#### Figura 3

### Cambiar la botella del producto de cuidado del sistema

**Nota:** Presionar bien la botella al insertarla para que el cierre se perfore. No extraer la botella antes de que se vacíe.

**Indicación:** Para proteger el aparato, se desconecta la calefacción con un retraso de 5 horas si la botella de producto de cuidado del sistema está vacío.

- El producto de cuidado del sistema evita eficazmente la calcificación del serpentín de recalentamiento en el servicio con agua corriente calcárea. Este, se dosifica a gotas en la entrada del calentador.
- La dosificación ha sido ajustada en fábrica a una dureza media del agua.

**Nota:** Una botella de producto para el cuidado del sistema viene incluida.

➔ Cambiar la botella del producto de cuidado del sistema.

### Ajustar la dosis de producto para cuidado del sistema Advance RM 110/RM 111

- ➔ Calcular la dureza del agua local:
- A través del suministrador local,
  - con un aparato de comprobación de dureza (nº ref. 6.768-004).

Dureza del agua (°dH)	Escala del interruptor de mantenimiento del sistema
<3	OFF (sin dosificación)
3...7	1
7...14	2
14...21	3
>21	4

➔ Ajustar el interruptor de servicio de acuerdo con la dureza del agua que indique la tabla.

**Nota:** Cuando se utilice el producto cuidado del sistema Advance 2 RM 111 se debe tener en cuenta lo siguiente:

- Protección contra descalcificación: véase tabla
- Mantenimiento de la bomba: ajustar el interruptor de servicio al menos en posición 3.

### Llenar de detergente

#### ⚠ PELIGRO

*Peligro de lesiones*

- Utilizar sólo productos Kärcher.
- No eche en ningún caso disolvente (gasolina, acetona, diluyente, etc.).
- Evite el contacto con los ojos y la piel.
- Tenga en cuenta las instrucciones de seguridad y uso del fabricante del detergente.

#### Kärcher ofrece un programa individual de limpieza y mantenimiento.

Su comercial le asesorará con mucho gusto.

➔ Llenar de detergente.

### Montar la pistola pulverizadora manual, lanza dosificadora, boquilla y manguera de alta presión

#### Figura 4

- ➔ Conectar la lanza dosificadora con la pistola pulverizadora manual.
- ➔ Apretar con la mano la rosca de la lanza dosificadora.
- ➔ Colocar la boquilla de alta presión en la tuerca de racor.
- ➔ Montar la tuerca de racor y apretarla bien.
- ➔ Montar la manguera de alta presión en la conexión de alta presión del aparato.

### Montaje de la manguera de alta presión de repuesto

#### Figura 5

### Conexión de agua

Valores de conexión, ver datos técnicos.

- ➔ Fijar la manguera de alimentación (largó mínimo 24.6 ft/7.5 m, diámetro mínimo 3/4") con brida de manguera al set de la toma de agua.
- ➔ Conectar la tubería de abastecimiento a la conexión de agua del aparato y a la alimentación de agua (como el grifo).

**Indicación:** La manguera de alimentación y la brida para mangueras no vienen incluidas.



## Toma de corriente

- Valores de conexión: véase la placa de características y datos técnicos.
- La conexión eléctrica debe ser realizada por un electricista y cumplir la norma CEI 60364-1.
- La tensión de la fuente de corriente tiene que coincidir con la indicada en la placa de características.
- El montaje del enchufe eléctrico sólo puede ser realizado por el servicio técnico/ electricista autorizado. El enchufe eléctrico no está incluido en el volumen de suministro.

### **⚠ PELIGRO**

*Peligro de lesiones por descarga eléctrica.*

- *Los cables eléctricos prolongadores inadecuados pueden ser peligrosos. Para el exterior, utilice solo cables de prolongación eléctricos autorizados expresamente para ello, adecuadamente marcados y con una sección de cable suficiente:*
- *Recoger siempre de todos los tubos alargadores.*
- *El enchufe y el acoplamiento del cable de prolongación utilizado tienen que ser impermeables.*

## Manejo

### **⚠ PELIGRO**

*Peligro de explosiones*

*No pulverizar ningún líquido inflamable.*

### **⚠ PELIGRO**

*Peligro de lesiones. No utilizar el aparato nunca sin la lanza dosificadora sin montar. Comprobar que la lanza dosificadora está bien colocada antes de cada uso. La rosca de la lanza dosificadora debe estar bien apretada con la mano.*

## Instrucciones de seguridad

### **⚠ ADVERTENCIA**

*Si se utiliza el aparato durante un período de tiempo largo, se pueden producir problemas de circulación en las manos provocados por las vibraciones.*

No se puede establecer una duración general válida para el uso porque este depende de varios factores:

- Factor personal debido a una mala circulación de la sangre (dedos fríos frecuentemente, sensación de hormigueo).
- Temperatura ambiente baja. Lleve guantes calientes para proteger las manos.
- Apretar fuertemente impide la circulación de la sangre.
- El funcionamiento ininterrumpido es peor que el funcionamiento interrumpido por pausas.

Si se utiliza durante mucho tiempo y con regularidad el aparato y se aparecen síntomas repetidas veces (como por ejemplo hormigueo en los dedos, dedos fríos) recomendamos hacerse una revisión médica.

## Calentador agua

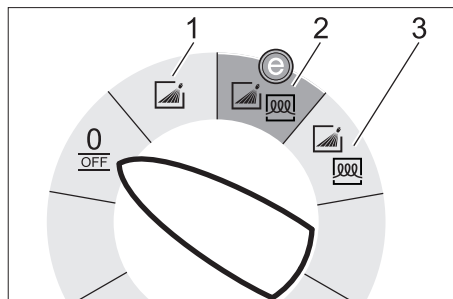
**Indicación:** Si el agua utilizada tiene un grado de dureza muy alto, pueden quedar muchos restos de cal en el calentador de agua. Esto es un proceso natural y no afecta al funcionamiento del aparato, mientras se cumplan los intervalos de mantenimiento (véase "Cuidados y mantenimiento").

## Cambiar las boquillas

### **⚠ PELIGRO**

*Desconectar el aparato antes de cambiar la boquilla y accionar la pistola pulverizadora manual hasta que el aparato se quede sin presión.*

## Tipos de servicio



0/OFF = OFF

- 1 Servicio con agua fría
- 2 Nivel EcoEfficiency (agua caliente máx. 140 °F/60 °C)
- 3 Servicio con agua caliente

## Conexión del aparato

- Ajustar el interruptor del aparato al modo de servicio deseado. El piloto de control de disposición de servicio se enciende.

El aparato se pone en marcha brevemente y se desconecta en cuanto se ha alcanzado la presión de trabajo.

**Indicación:** Si los pilotos de control de bomba, falta de agua, avería en el calentador o motor se encienden durante el funcionamiento, el aparato debe pararse enseguida y se debe arreglar la avería, véase "Ayuda en caso de averías".

- Desbloquear la pistola pulverizadora manual.

Al accionar la pistola pulverizadora manual se vuelve a encender el aparato.

**Nota:** Si no sale agua de la boquilla de alta presión, purgue el aire de la bomba. Véase ayuda en el apartado "El aparato no genera presión" en Averías.

## Regular la temperatura de limpieza

- Ajustar el regulador de temperatura a la temperatura deseada.

de 86 °F/30 °C a 185 °F/85 °C:

- Limpiar con agua caliente.

## Ajustar la presión de trabajo y el caudal

### Regulación de la presión/caudal de la unidad de bomba

- Gire el husillo regulador en el sentido de las agujas del reloj: Aumentar la presión de trabajo (MAX).
- Gire el husillo regulador en el sentido contrario a las agujas del reloj: Reducir la presión de trabajo (MIN).

### Regulación de la presión/caudal en la pistola pulverizadora manual

- Ajustar la presión de trabajo en la unidad de bomba al valor máximo.
- Ajustar la presión de trabajo y el caudal, para ello girar (por niveles) el regulador de presión/caudal de la pistola pulverizadora manual.

### ⚠ PELIGRO

*Al ajustar la regulación de presión y caudal procurar que no se suelte la rosca de la lanza dosificadora.*

**Nota:** Si tiene que trabajar a largo plazo con una presión reducida, ajuste la presión en la unidad de bomba.

## Funcionamiento con detergente

- Utilice los detergentes con moderación para no perjudicar el medio ambiente.
  - El detergente debe ser apropiado para la superficie que se ha de limpiar.
- Ajustar la concentración de detergente con ayuda de la válvula dosificadora de detergente según las indicaciones del fabricante.

**Nota:** Valores indicativos en el panel de control a la máxima presión de trabajo.

## Limpieza

- Ajustar la presión/temperatura y concentración de detergente en función de la superficie a limpiar.

**Nota:** Dirigir primero el chorro a alta presión desde una mayor distancia hacia el objeto a limpiar, con el fin de evitar causar daños por una presión demasiado alta.

### Método de limpieza recomendado

- disolución de la suciedad
- Rociar con detergente con moderación y dejar actuar 1...5 minutos pero sin dejar secar.
- eliminación de la suciedad
- Aplicar el chorro de agua a alta presión sobre la suciedad disuelta para eliminarla.

### Servicio con agua fría

Eliminación de suciedades ligeras y enjuague de, por ejemplo: aparejos de jardín, terrazas, herramientas, etc.

- Ajustar la presión de trabajo según sea necesario.

### Nivel Eco!Efficiency

El aparato trabaja en el rango de temperatura más económico.

**Nota:** La temperatura se puede regular hasta 140 °F/60 °C.

### Servicio con agua caliente

Recomendamos las siguientes temperaturas de limpieza:

- Suciedades ligeras  
**86 °F/30 °C-122 °F/50 °C**
- Suciedades de albúmina, por ejemplo en la industria alimentaria  
**max. 140 °F/60 °C**
- Limpieza de coches, de máquinas  
**140 °F/60 °C-185 °F/85 °C**

#### ⚠ **PELIGRO**

*Existe peligro de escaldamiento.*

- Ajustar el regulador de temperatura a la temperatura deseada.

**Indicación:** Al reajustar la presión de trabajo y el caudal se modifica la temperatura del agua.

### Después del funcionamiento con detergente

- Poner la válvula dosificadora en la posición "0".
- Ajustar el interruptor del aparato en el nivel 1 (funcionamiento con agua fría).

- Enjuagar el aparato con la pistola pulverizadora abierta durante al menos 1 minuto.

### Desconexión del aparato

#### ⚠ **PELIGRO**

*Peligro de escaldamiento por agua caliente*  
*Después del servicio con agua caliente o vapor el aparato debe ser enfriado al menos cinco minutos con agua fría con la pistola abierta.*

- Ponga el interruptor del aparato en "0/OFF".
- Cerrar el abastecimiento de agua.
- Abrir la pistola pulverizadora manual.
- Conectar la bomba mediante el interruptor principal brevemente (unos 5 segundos).
- Sacar el enchufe de la toma de corriente sólo con las manos secas.
- Retirar la conexión de agua.
- Poner en funcionamiento la pistola pulverizadora manual hasta que no quede presión en el aparato.
- Asegurar la pistola pulverizadora manual.

### Almacenamiento del aparato

- Encajar la lanza dosificadora en el soporte del capó del aparato.
- Enrollar la manguera a alta presión y el cable eléctrico y colocarlos en soportes.

**Nota:** No doble la manguera a alta presión y el cable eléctrico.

### Protección antiheladas

#### **CUIDADO**

*El hielo deteriora el aparato si éste no se ha vaciado por completo de agua.*

- Coloque el aparato en un lugar a salvo de las heladas.

Si no es posible el almacenamiento libre de heladas, pare el aparato.

## Parada

En largos periodos de inactividad o cuando no sea posible el almacenamiento a salvo del hielo:

- Dejar salir agua.
- Enjuagar el aparato con anticongelante.
- Vaciar el depósito de detergente.

## Dejar salir agua

- Desatornillar la manguera de abastecimiento de agua y la manguera a alta presión.
- Desatornillar el tornillo purgador del calentador en la fondo de la caldera y vaciarlo.
- Dejar en marcha el aparato durante 1 minuto como máximo hasta que la bomba y los conductos estén vacíos.

## Enjuagar el aparato con anticongelante.

**Nota:** Tener en cuenta las instrucciones de uso del fabricante del anticongelante.

- Añadir al calentador un anticongelante de los habituales en el mercado.
- Encender el aparato (sin calefacción), hasta que esté totalmente enjuagado.

De este modo se conseguirá una protección segura contra la corrosión.

## Almacenamiento

### ⚠ **PRECAUCIÓN**

*¡Peligro de lesiones y daños! Respetar el peso del aparato en el almacenamiento.*

## Transporte

### Figura 6

#### **CUIDADO**

*¡Peligro de daños en la instalación! Al cargar el aparato con una carretilla elevadora, tener en cuenta la ilustración.*

### ⚠ **PRECAUCIÓN**

*¡Peligro de lesiones y daños! Respetar el peso del aparato para el transporte.*

- Al transportar en vehículos, asegurar el aparato para evitar que resbale y vuelque conforme a las directrices vigentes.

## Cuidados y mantenimiento

### ⚠ **PELIGRO**

*Peligro de lesiones causadas por un aparato que se arranque involuntariamente y descarga eléctrica.*

*Antes de efectuar cualquier trabajo en el aparato, hay que desconectar de la red eléctrica.*

- Ponga el interruptor del aparato en "0/ OFF".
- Cerrar el abastecimiento de agua.
- Abrir la pistola pulverizadora manual.
- Conectar la bomba mediante el interruptor principal brevemente (unos 5 segundos).
- Sacar el enchufe de la toma de corriente sólo con las manos secas.
- Retirar la conexión de agua.
- Poner en funcionamiento la pistola pulverizadora manual hasta que no quede presión en el aparato.
- Asegurar la pistola pulverizadora manual.
- Deje enfriar el aparato.

**Un comercial de Kärcher especializado le informará sobre la realización de una inspección de seguridad regular o el cierre de un contrato de mantenimiento.**

## Intervalos de mantenimiento

### Todas las semanas

- Limpie el tamiz en la conexión del agua.
- Limpiar el filtro de depuración fina.
- Controle el nivel de aceite.

### **CUIDADO**

*En caso de aceite lechoso informar inmediatamente al servicio postventa Kärcher.*

### mensualmente

- Limpiar el filtro en el bloque de seguridad.
- Limpie el filtro en la manguera de aspiración de detergente.

### Después de 400 horas de servicio, al menos cada año

- Comprobar el grado de calcificación del calentador de agua y si es necesario solicitar al servicio técnico que lo limpie.

## Después de 500 horas de servicio, al menos cada año

- ha de cambiar el aceite.

## Trabajos de mantenimiento

### Limpe el tamiz en la conexión del agua

- Retire el tamiz.
- Limpie el tamiz en agua y vuelva a colocarlo.

### Limpiar el filtro de depuración fina.

- Despresurizar el sistema de alta presión.
- Deastornillar el filtro fino del calentador de agua.
- Desmontar el filtro fino y sacar el filtro.
- Limpiar el filtro con agua limpia o aire comprimido.
- Montar siguiendo los pasos a la inversa.

### Limpiar el filtro en el bloque de seguridad

- Afloje la tuerca de racor y quite la manguera.
- Saque el tamiz.

**Nota:** En caso necesario gire el tornillo M8 unos 0.2 in/5 mm hacia adentro y saque así el tamiz.

- Limpie el tamiz en agua.
- Meta el tamiz.
- Coloque la manguera.
- Apriete bien la tuerca de racor.

### Limpe el filtro en la manguera de aspiración de detergente.

- Saque la tubuladura de aspiración de detergente.
- Limpie el filtro en agua y vuelva a colocarlo.

### Cambie el aceite.

- Prepare un recipiente colector para aprox. 0.26 gal/1 litro de aceite.
- Suelte el tornillo de purga.

Elimine el aceite viejo sin dañar el medio ambiente o entregarlo en un punto de recogida de residuos.

- Vuelva a apretar el tornillo de purga.

- Introducir aceite poco a poco hasta la marca MAX.

**Nota:** Las burbujas de aire deben poder desaparecer.

**Tipo de aceite y cantidad de llenado, ver datos técnicos.**

## Ayuda en caso de avería

### ⚠ PELIGRO

*Peligro de lesiones causadas por un aparato que se arranque involuntariamente y descarga eléctrica.*

*Antes de efectuar cualquier trabajo en el aparato, hay que desconectar de la red eléctrica.*

## Piloto de control de la bomba

### 1 parpadeo

- Falta de aceite
- Rellene con aceite.

### 2 parpadeos

- Fuga en el sistema de alta presión
- Verificar la estanqueidad del sistema de alta presión y las conexiones.

### 3 parpadeos

- Falta de agua, tras 2 minutos se desconecta la bomba, para evitar la marcha en seco
- Comprobar la conexión de agua y las tuberías.

### 4 parpadeos

- Error del contactor de la calefacción
- Ponga el interruptor del aparato en "0/ OFF".
- Conexión del aparato
- El error se repite varias veces.
- Avisar al servicio técnico.

## Piloto de aviso de falta de agua

- Falta de agua - se desconecta la calefacción
- Comprobar la conexión de agua y las tuberías.

### El piloto de control de disposición de servicio se apaga

- No hay tensión de red, véase "El aparato no se pone en marcha".

### El piloto de control de la calefacción se ilumina

- Modo de calefacción

### Piloto de control del motor

#### 2 parpadeos

- Motor sobrecargado/sobrecalentado
- Ponga el interruptor del aparato en "0/OFF".
- Deje enfriar el aparato.
- Conexión del aparato
- El error se repite varias veces.
- Avisar al servicio técnico.

#### 3 parpadeos

- Fallos en la alimentación de tensión.
- Comprobar el cable de conexión y los fusibles de red.

#### 4 parpadeos

- Consumo de corriente demasiado alto.
- Comprobar el cable de conexión y los fusibles de red.
- Avisar al servicio técnico.

### Piloto de control de la avería del calentador

#### 1 parpadeo

- El regulador de temperatura ha activado
- Ponga el interruptor del aparato en "0/OFF".
- Deje enfriar el aparato.
- Conexión del aparato
- El error se repite varias veces.
- Avisar al servicio técnico.

#### 3 parpadeos

- El detector del producto de cuidado del sistema está defectuoso.
- Avisar al servicio técnico.

#### 4 parpadeos

- Sensor de temperatura defectuoso
- Avisar al servicio técnico.

### Piloto de control revisión

- Intervalo de mantenimiento
- Ejecutar trabajos de revisión.

### El piloto de control del producto de cuidado del sistema se enciende

**Indicación:** El modo de calefacción es posible 5 horas más.

- La botella del producto de cuidado del sistema está vacía.
- Cambiar la botella del producto de cuidado del sistema.

### El piloto de control del producto de cuidado del sistema parpadea

**Indicación:** Ya no es posible que el modo de calefacción.

- La botella del producto de cuidado del sistema está vacía.
- Cambiar la botella del producto de cuidado del sistema.

### El aparato no funciona

- No hay tensión de red
- Verificar conexión de red/cable.

### El aparato no genera presión

- Aire en el sistema
- Purgar el aire de la bomba:
- Poner la válvula dosificadora en la posición "0".
- Cuando la pistola pulverizadora está abierta conecte y desconecte el aparato varias veces con el interruptor principal.
- Abrir/cerrar la regulación de la presión/caudal de la unidad de bomba con la pistola pulverizadora manual.

**Nota:** Al desmontar la manguera de alta presión de la conexión a alta presión se acelera el proceso de purga de aire.

- Si el depósito de detergente está vacío, llénelo.
- Verifique las conexiones y tuberías.
- La presión está ajustada a MIN.
- Ajuste la presión a MAX.
- Limpie el tamiz en la conexión del agua.
- Limpie el tamiz.

- ➔ Limpiar el filtro de depuración fina, si es necesario cambiar.
- La cantidad de abastecimiento de agua es escasa
- ➔ Verifique la cantidad de abastecimiento de agua (ver datos técnicos).

### **El aparato tiene fugas, el agua gotea del aparato por abajo**

- La bomba no es estanca
- Nota:** Lo permitido es 3 gotas por minuto.
- ➔ En caso de fuga de mayor envergadura deje que el servicio técnico revise el aparato.

**Indicación:** Debido al condensado, es posible que se formen más gotas en el aparato.

### **El aparato se enciende y se apaga continuamente cuando la pistola está cerrada**

- Fuga en el sistema de alta presión
- ➔ Verificar la estanqueidad del sistema de alta presión y las conexiones.

### **El aparato no succiona detergente**

- ➔ Dejar que el aparato funcione con la válvula de dosificación detergente abierta y la entrada de agua cerrada, hasta que el calentador de agua esté vacío y la presión caiga a "0".
- ➔ Abrir de nuevo el suministro de agua. Si la bomba sigue sin aspirar detergente puede ser debido a lo siguiente:
  - El filtro en la manguera de aspiración de detergente está sucio
  - ➔ Limpiar el filtro.
  - La válvula de retención se pega
  - ➔ Desmontar la manguera de detergente y soltar la válvula de retención con un objeto obtuso.

### **El calentador no calienta**

- La botella del producto de cuidado del sistema está vacía.
- ➔ Cambiar la botella del producto de cuidado del sistema.
- Falta de agua
- ➔ Comprobar la conexión de agua y las tuberías.

- Calefacción defectuosa.
- ➔ Avisar al servicio técnico.

### **La temperatura regulada no se alcanza durante el servicio con agua caliente**

- La presión de trabajo/caudal son demasiado altos
- ➔ Reducir la presión de trabajo y el caudal del regulador de presión/caudal de la unidad de bomba.

### **Servicio de atención al cliente**

**Si la avería no se puede solucionar el aparato debe ser revisado por el servicio técnico.**

### **Garantía**

En cada país rigen las condiciones de garantía establecidas por el distribuidor oficial autorizado. Reparamos gratuitamente las averías que se produzcan durante el plazo de garantía, siempre y cuando hayan sido ocasionadas por fallos materiales o de fabricación.

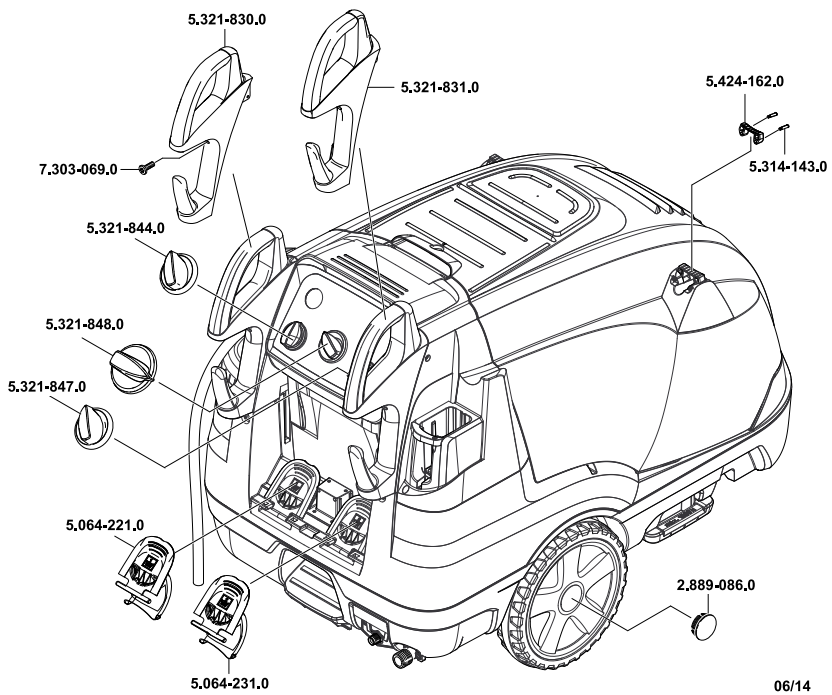
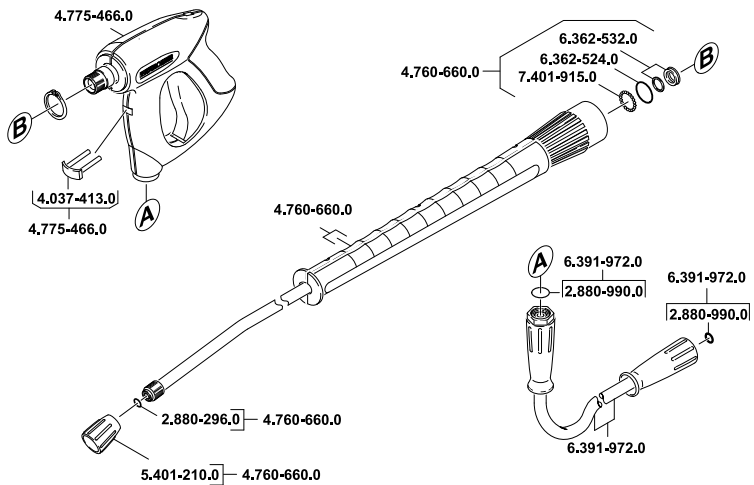
### **Accesorios y piezas de repuesto**

- Sólo deben emplearse accesorios y piezas de repuesto originales o autorizados por el fabricante. Los accesorios y piezas de repuesto originales garantizan el funcionamiento seguro y sin averías del aparato.
- Podrá encontrar una selección de las piezas de repuesto usadas con más frecuencia al final de las instrucciones de uso.
- En el área de servicios de [www.kaercher.com](http://www.kaercher.com) encontrará más información sobre piezas de repuesto.

## Datos técnicos

		HDS-E 3.3/25-4M Ec	HDS-E 3.3/25-4M Ef
<b>Conexión de red</b>			
Tensión	V	460	575
Tipo de corriente	Hz	3~ 60	3~ 60
Potencia conectada	kW	30	30
Fusible de red (inerte)	A	50	50
Categoría de protección	--	IPX5	IPX5
Clase de protección	--	I	I
<b>Conexión de agua</b>			
Temperatura de entrada (máx.)	°F (°C)	86 (30)	86 (30)
Velocidad de alimentación (mín.)	gpm (l/min)	4.4 (16.7)	4.4 (16.7)
Presión de entrada (máx.)	psi (MPa)	87 (0.6)	87 (0.6)
<b>Potencia y rendimiento</b>			
Caudal, agua	gpm (l/min)	1.6-3.3 (6.1-12.3)	1.6-3.3 (6.1-12.3)
Presión de trabajo agua (con boquilla estándar)	psi (MPa)	465-2520 (3.2-17.3)	465-2520 (3.2-17.3)
Sobrepresión de servicio máxima (válvula de seguridad)	psi (MPa)	2972 (20.5)	2972 (20.5)
Temperatura de trabajo máx. agua caliente	°F (°C)	185 (85)	185 (85)
Temperatura de desconexión del agua caliente	°F (°C)	208 (98)	208 (98)
Temperatura de servicio en servicio continua para una temperatura de alimentación 59 °F/ 15 °C	°F (°C)	113 (45)	113 (45)
Aspiración de detergente	gpm (l/min)	0-0.13 (0-0.5)	0-0.13 (0-0.5)
Potencia de calefacción	kW	24	24
Fuerza de retroceso de la pistola pulverizadora manual (máx.)	N	37.2	37.2
Tamaño de la boquilla	--	045	045
<b>Valores calculados conforme a la norma EN 60355-2-79</b>			
Emisión sonora			
Nivel de presión acústica $L_{pA}$	dB(A)	67	67
Inseguridad $K_{pA}$	dB(A)	3	3
Nivel de potencia acústica $L_{WA}$ + inseguridad $K_{WA}$	dB(A)	85	85
Valor de vibración mano-brazo			
Pistola pulverizadora manual	m/s <sup>2</sup>	4.5	4.5
Lanza dosificadora	m/s <sup>2</sup>	1.9	1.9
Inseguridad K	m/s <sup>2</sup>	0.3	0.3
<b>Combustibles</b>			
Cantidad de aceite	gal (l)	0.2 (0.75)	0.2 (0.75)
Tipo de aceite	--	SAE 90	SAE 90
<b>Medidas y pesos</b>			
Longitud x anchura x altura	in (mm)	52.5 x 29.5 x 41.5 (1330 x 750 x 1060)	52.5 x 29.5 x 41.5 (1330 x 750 x 1060)
Peso de funcionamiento típico	lbs (kg)	423 (192)	423 (192)
Depósito de detergente	gal (l)	2.6+5.3 (10+20)	2.6+5.3 (10+20)
Contenido del calentador total	gal (l)	13.2 (50)	13.2 (50)











<http://www.kaercher.com/dealersearch>

